

Installation and operating manual

myPRO Steam Ironer



Electrolux
PROFESSIONAL

Contents

Contents

1	Part list	5
2	Important safety instructions	7
3	Functions	8
3.1	Unfolding the steam ironer	8
3.2	Electrical connection	8
3.3	Folding the steam ironer	9
3.4	Foot pedal	9
3.5	Manual release lever	10
4	Steam generation	11
4.1	General information on steam generation	11
4.1.1	The following water may be used:	11
4.1.2	The following water may not be used:	11
4.2	Fill water tank	12
4.3	General information on descaling granulate	13
4.3.1	Checking placement of lime descaling cartridge for the initial use of your steam ironer	13
4.3.2	Replacement of used descaling cartridge	14
5	Settings	15
5.1	Function of operator's console	16
5.2	Ironing settings	17
5.2.1	Ironing without steam	17
5.2.2	Ironing with demand steam	17
5.2.3	Ironing with continuous steam	18
5.2.4	After ironing	18
6	Examples of application	19
6.1	General instructions for ironing with your steam ironer	19
6.2	Ironing small items such as tea towels	19
6.3	Ironing large items such as table cloths	20
6.4	Ironing bed linen such as covers	21
6.5	Ironing t-shirts	22
6.6	Ironing shirts or blouses	23
6.7	Ironing trousers	25
6.8	Dampen trousers with ironing creases	25
6.9	Ironing frills or folds	25
7	Care of the machine	26
7.1	General notes on caring of the machine	26
7.2	Replacing or renewing the ironing roller covers	26
7.3	Unwinding the ironing covers	27
7.4	Winding the ironing covers	28
7.5	Empty water tank	31
7.6	Technical specification	32
8	Disposal information	33
8.1	Appliance recyclability and disposal	33
8.1.1	Recyclability	33
8.1.2	Procedure regarding appliance disposal and component / material recovery	33
8.2	Disposal of packing	33

The manufacturer reserves the right to make changes to design and component specifications.

1 Part list

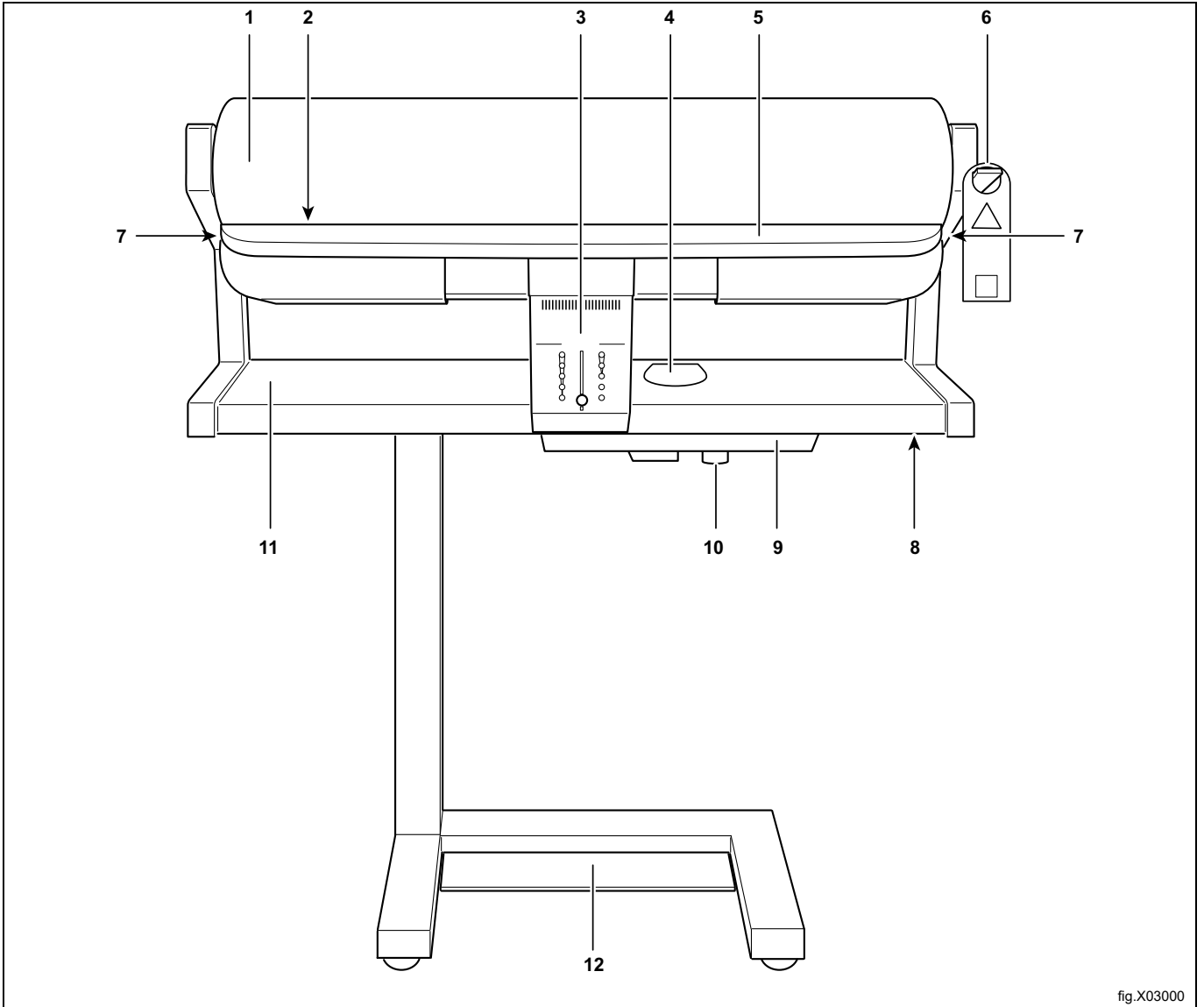


fig.X03000

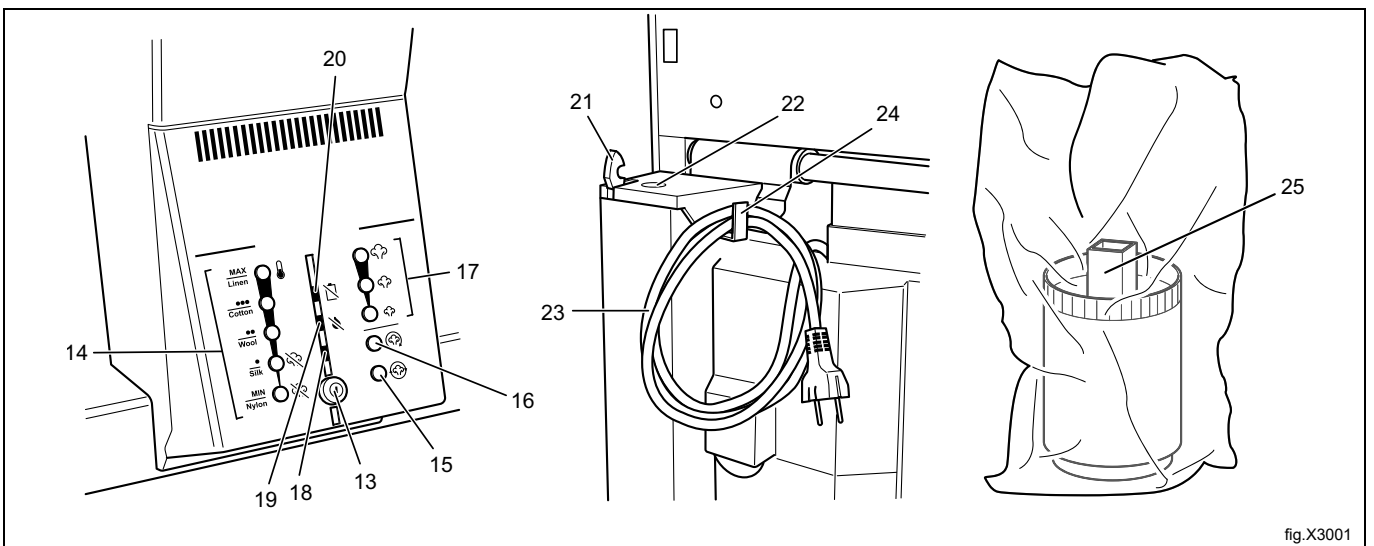


fig.X3001

1. Ironing roller
2. Heating shoe with steam slot
3. Operator's console control buttons
4. Filler opening with lime descaling cartridge
5. Support plate
6. Manual release lever
7. Free heating shoe ends
8. Bolt for unfolding
9. Water tank
10. Drain plug
11. Collecting table
12. Foot pedal
13. Power button
14. Five Heat Setting buttons with red LEDs
15. Continuous Steam button with blue LED
16. Demand Steam button with blue LED
17. Three buttons for Steam Settings with blue LEDs
18. Power On green LED
19. Remaining Water blue LED
20. Descaling Granulate Used blue LED
21. Locking lever for unfolding
22. Identification plate
23. Power cable
24. Cable hook
25. Accessories (spare lime descaling cartridge)

Note!

Your steam ironer is fitted with an energy-saving circuit. If the foot pedal (12) is not operated for up to 8 minutes, the heater and steam generator are automatically switched off.

When the foot pedal (12) is pressed again, the heating shoe and, if appropriate the steam generator, are switched on again. The most recently set ironing setting has been reached only when no LEDs are flashing. Ironing can then be continued.

2 Important safety instructions

1. **The steam ironer may only be used to iron garments in accordance with proper use.**
2. Do not install the steam ironer in rooms subject to frost and never switch on when frozen.
3. Repairs to the steam ironer may only be carried out by qualified staff of Service Departments. May cause considerable danger to users due to incorrect repairs. Before opening the steam ironer, always unplug from the socket. Never unplug with wet hands or by pulling on the cable and make sure that the cable is not routed over hot parts of the steam ironer.
4. The steam ironer is suitable only for operation in dry rooms. The steam ironer can only be connected to the power supply when it has reached the temperature of the work room and any condensation has dried out. Switch on the steam ironer only when unfolded.
5. Only connect the steam ironer to a power supply at the voltage shown on the identification plate. All power-carrying devices (socket, switches, extension cables, house fuse, etc.) must be designed for a power rating that is equivalent to the power supply requirement of the steam ironer as shown on the identification plate and guarantee proper protective earthing. To avoid overloading, do not connect any other consumers to this circuit.
6. **The steam ironer must always be attended when switched on.**
Unplug the power plug:
 - before filling or draining the water tank
 - before leaving the room (even briefly)
 - before cleaning and care operation
 - after use**Keep children away from the unit! Take care with domestic pets.**
7. The steam ironer is designed for operation with tap water in conjunction with the descaling granulate.
- 8.



Caution



There is a danger of burning when touching hot parts of the steam ironer.

9. Do not place objects in openings of the unit that are required to be clear.
10. Do not use the steam ironer:
 - if the power cable or other power devices are damaged
 - if there are doubts regarding safety or danger due to invisible damage, e.g. after the unit has fallen over
 - if there is visible damage
 - in the event of malfunctions
 - if the collecting table is wet, e.g. due to overfilling of the water tank.
11. Switch off the power only if the ironing roller is completely raised. Then unplug.
12. **Do not reach between the heating shoe and ironing roller. There is a danger of burning or trapping!** Press the manual release lever completely back to lift the roller. Push the release lever completely back only in the event of power failure.
13. When switched on, the steam ironer heats up automatically to the set temperature. When the Continuous Steam button is operated, steam emerges only after the stage III ironing temperature setting has been reached. Make other users aware of this.
14. The noise emissions are < 70 dB/A.
15. If the steam ironer is used for any purpose other than intended or is incorrectly operated, no liability can be accepted for any resulting damage.

We reserve the right to make changes to the equipment, accessories, performance and design of the steam ironer at any time without prior notification, for the purpose of improving the product and to the advantage of our customers.

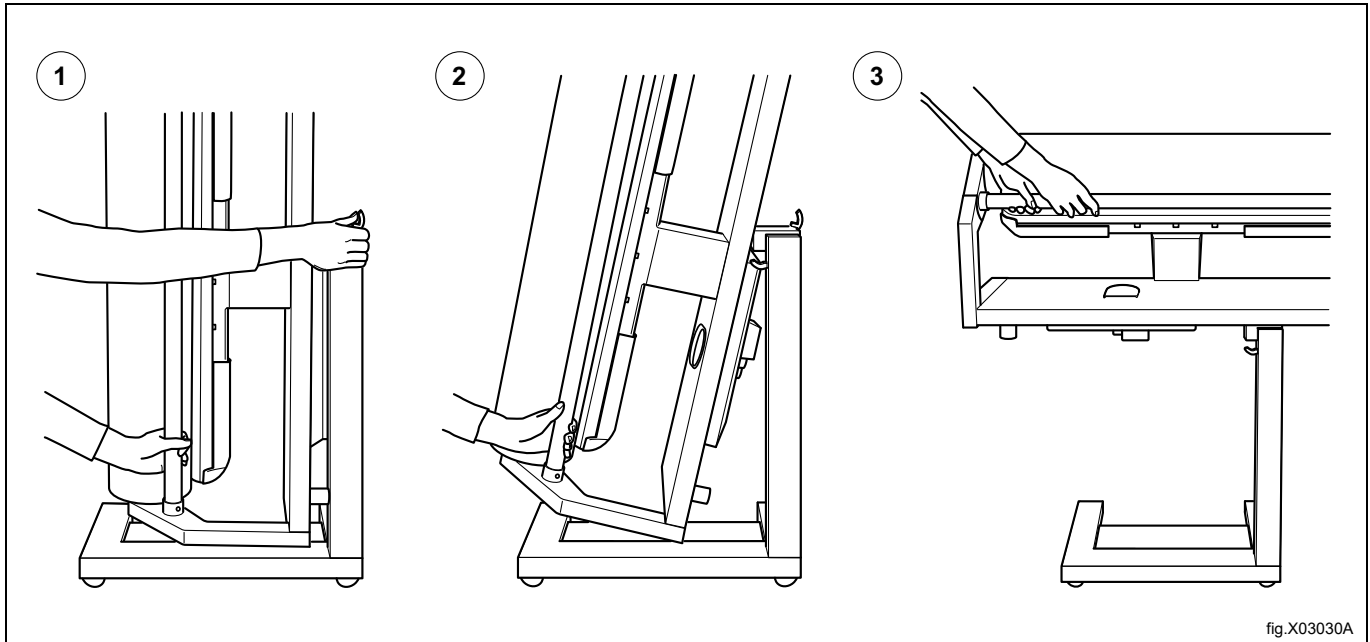
3 Functions

This chapter provides information on all the basic mechanical functions of the steam ironer.

3.1 Unfolding the steam ironer

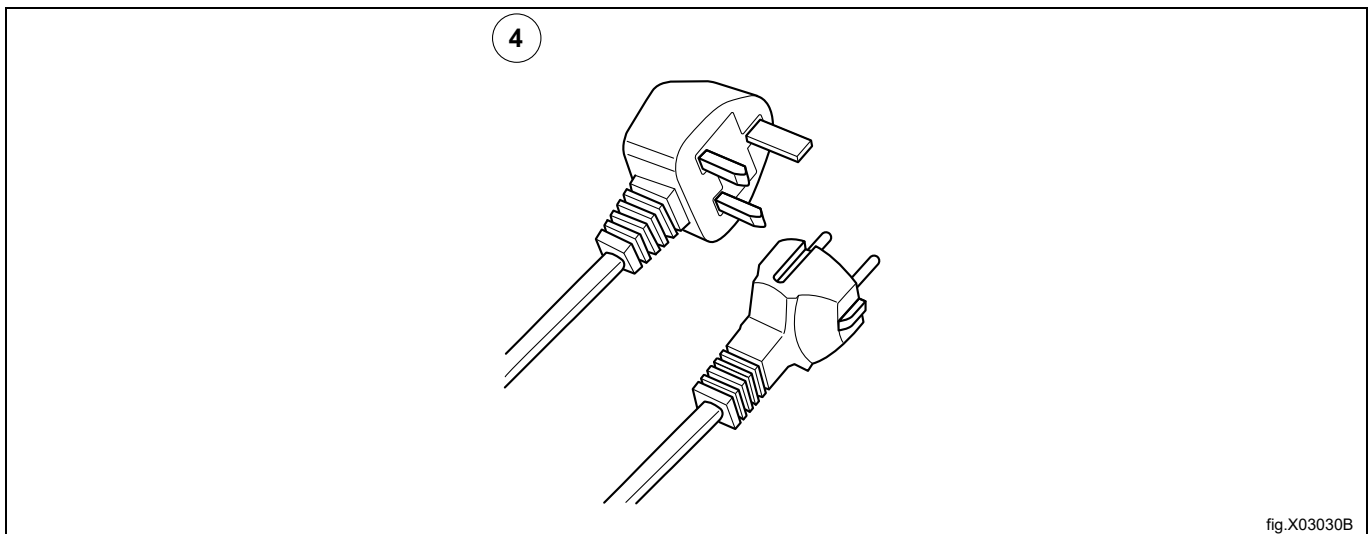
1. Unhook the power cable (23). With the left hand, tightly grip the connecting rod in the lower third area. With the right hand, push the locking lever (21) forward and hold it pressed. To prevent the steam ironer rolling away, place one foot in front of or on the frame of the steam ironer.
2. Raise the ironer slightly and then release the locking lever (21).
3. Now raise the ironer with both hands up to its stop making sure that the locking lever engages.

The steam ironer can be easily rolled on its rollers.



3.2 Electrical connection

4. Connect the power cable (23) of the steam ironer to the socket.



3.3 Folding the steam ironer



Caution



Before folding the steam ironer, unplug the power cable (23) from the socket. The steam ironer must be completely cooled down.

5. With the left hand, grip the connecting rod and raise it slightly. Push bolt (8) with the right hand until it disengages.
6. Now allow the ironer to slowly lower until it audibly engages. The steam ironer can be easily rolled on its rollers.

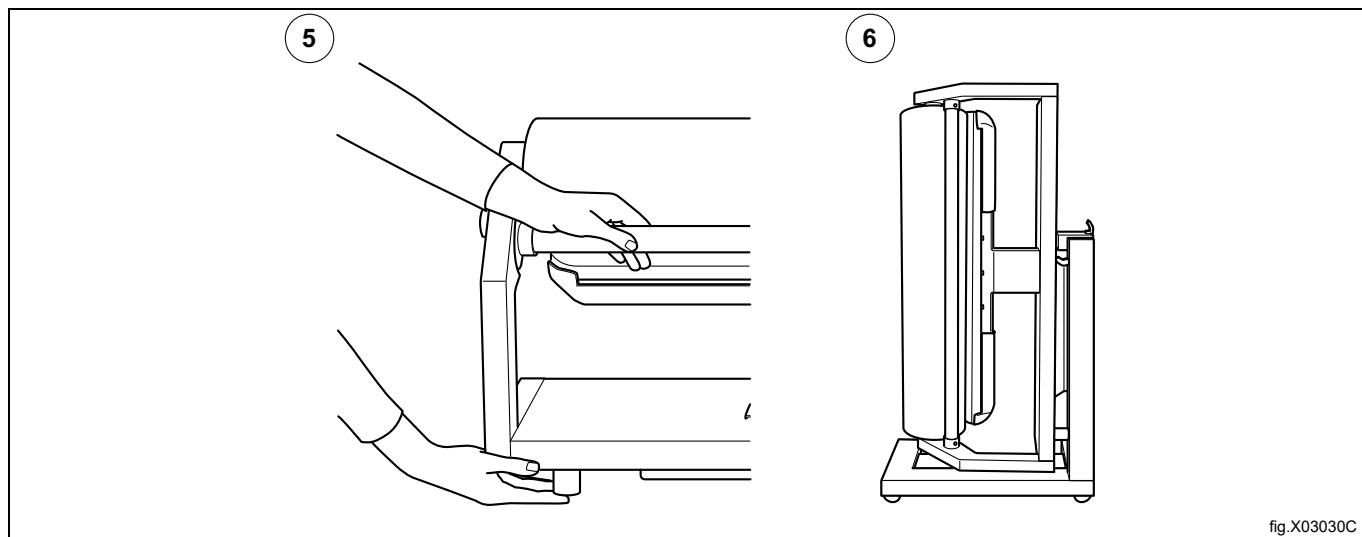


fig.X03030C

3.4 Foot pedal

The foot pedal (12) is used to control the raising, lowering and the speed of the ironing roller. The foot pedal (12) has three positions or areas:

Position A – Starting position – the roller remains raised. In this case the foot pedal is not operated.

Position B – Press position – the roller is lowered and ready for pressing by light pressure on the foot pedal.

Position C – Working position – the roller is lowered and rotating. In position C the steam ironer has an electronic speed control. The further the foot pedal is pressed the faster the roller rotates.

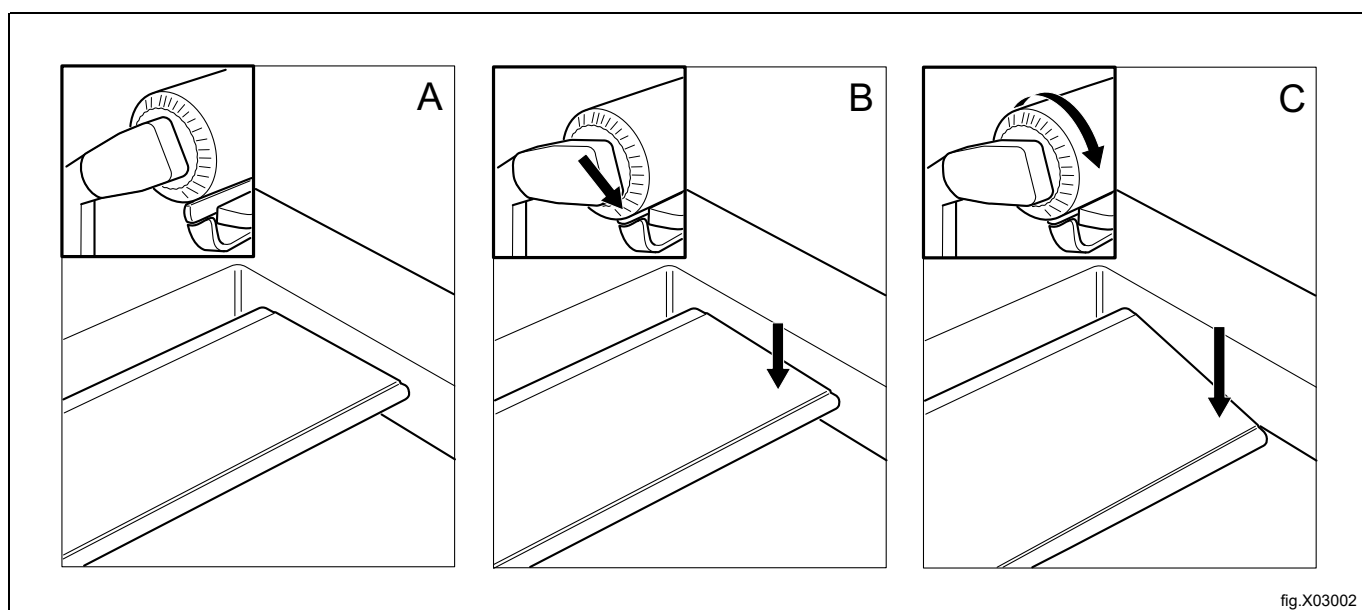


fig.X03002

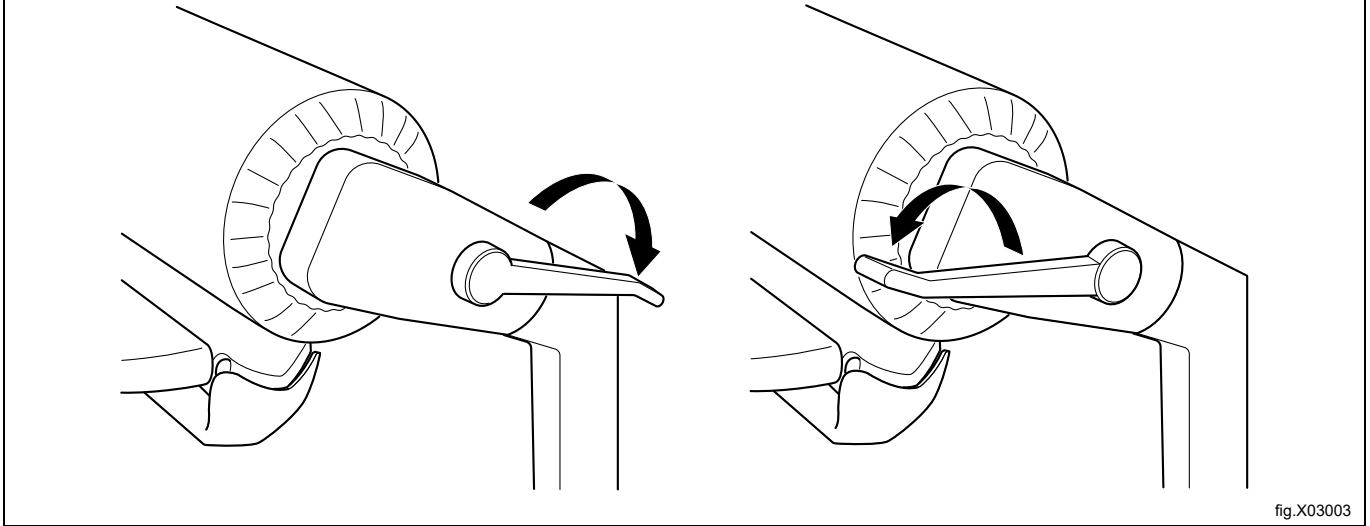
3.5 Manual release lever

The manual release lever (6) is to be used only in the event of an unforeseen stoppage of the ironing roller, e.g. power failure.

The manual release prevents damage to your garments and the ironing cover due to heat.

To operate, push the manual release lever (6) completely back. This raises the ironing roller from the heating shoe and enables you to remove your garments.

The manual release lever is not reset until the power supply is present and the ironing roller has reached the press position. To do this, pull the manual release lever completely forward.



4 Steam generation

This chapter provides information on suitable water for steam generation, all you need to know about the water tank, lime descaling cartridge and lime descaling granulate.

4.1 General information on steam generation

Basically, the steam ironer can also be operated without water but for a crease-free result the steam should be switched on. The steam is applied from below and thus ensures complete steam penetration of the garments.

4.1.1 The following water may be used:

1. **Tap water**

Your steam ironer can be operated using normal tap water regardless of its hardness. However, tap water should be used only in conjunction with the lime descaling granulate (referred to in the following as descaling granulate) supplied.

2. **De-ionized water to DIN 0510**

De-ionized water can also be used for the steam ironer. This water is supplied in 2 to 5 litre bottles, often incorrectly sold as distilled water or ironing water. It can be used without the descaling granulate.

3. **Distilled water**

Distilled water is available from hardware stores and chemists. It can be used without the descaling granulate.

4.1.2 The following water may not be used:

1. **Water with additives**

On no account must starch, fabric conditioner, perfume or finishers be added. For this reason, water from condenser tumble driers may not be used, as this may also contain additives (such as fabric conditioners). No liability is accepted for damage to your steam ironer or your laundry caused by this.

2. **Battery water from filling stations**

"Battery water" from filling stations may contain acid and therefore may, on no account, be used.

3. **Water from domestic water softening systems**

Domestic water softening systems remove lime from the water but add other substances to the domestic system depending on the descaling system, and this water is therefore not suitable for the steam ironer.

4.2 Fill water tank



Caution



Switch off the power and unplug

"Remaining water" LED indicator (19) illuminates blue if there is no water or there is only 10% water in the water tank. The water tank must now be filled before any further steam ironing.

1. Pull off the cap of filler opening (4) upwards. The lime descaling cartridge is in the filler opening.
2. Remove the lime descaling cartridge. To do this, loosen the cartridge as necessary by a sideways movement. Then turn the cartridge clockwise and at the same time pull it upwards.
3. Slowly fill with water up to the end of filler opening (A) (tank capacity approximately 1.4 l).
Do not fill with hot water.
For the water level indicator to function properly, after the "Remaining water" LED indicator (19) has illuminated, top up with at least 0.3 l of water.
4. Depending on which water is used, insert the filled lime descaling cartridge and press the cap onto the filler opening.

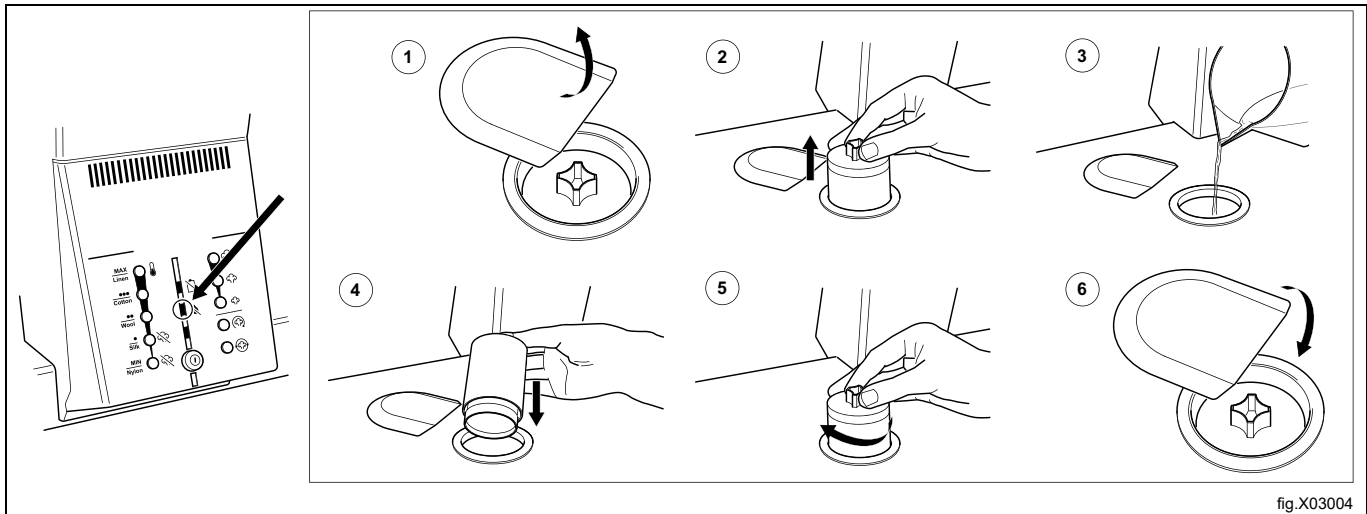


fig.X03004

Note!

The filler opening must always be kept closed because of the danger of dirt.

There is a delay in the steam development after an empty water tank has been filled or the used descaling granulate changed. In addition to this it may happen that the LED indicators of the steam system are not available and have to be reactivated.

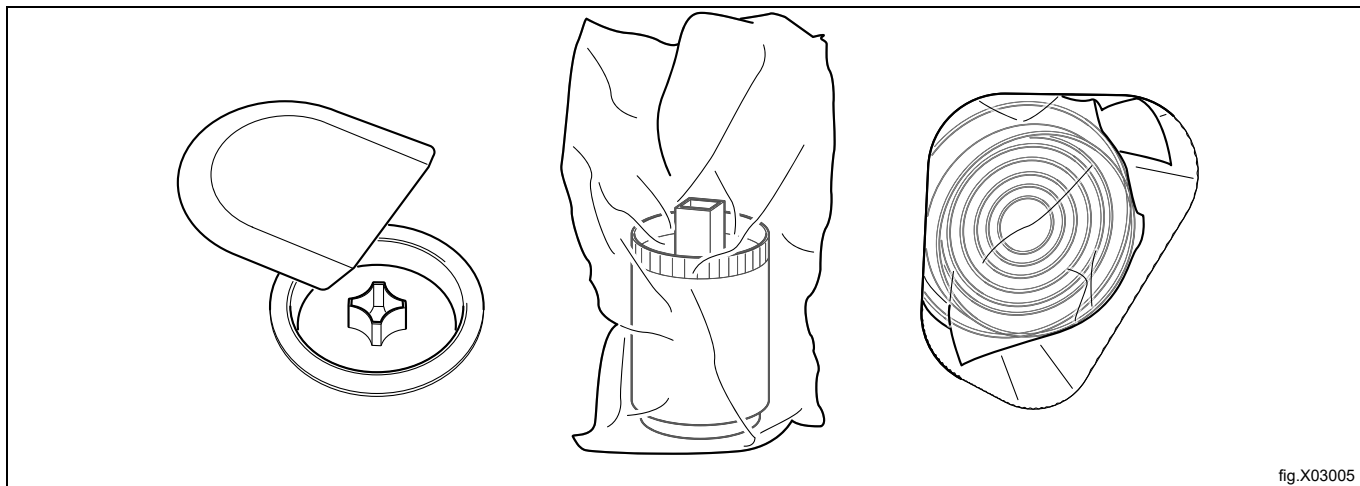
The water tank and lime descaling cartridge must be emptied during very long intervals between ironing.

4.3 General information on descaling granulate

The descaling granulate in the lime descaling cartridge must always remain slightly damp. Where there are long intervals between ironing (with the water tank empty) the descaling granulate must be moistened with water or kept apart from the steam ironer in a sealed plastic bag.

The water tank must be emptied during very long intervals between ironing.

New full descaling cartridges are available from your dealer.



4.3.1 Checking placement of lime descaling cartridge for the initial use of your steam ironer

Your steam ironer is supplied with a full lime descaling cartridge inserted in the water tank. The cartridge is placed below the cap of filler.



Caution



Switch off the power and unplug.

1. Remove the cap by pulling upwards and make sure that the descaling cartridge is pushed down fully. Press the cap onto the filler opening.
2. There is one spare cartridge supplied in a plastic bag with your ironer. You should keep the spare cartridge in the plastic bag until necessary to replace it in the steam ironer, to prevent the granulate in the descaling cartridge from drying.

Note!

Make sure that the lime descaling cartridge is pushed down fully, otherwise water flows underneath the cartridge and the “Descaling Granulate Used blue LED” (20), is activated after approximately 1 minute.

If the “Descaling Granulate Used blue LED” (20), is again triggered approximately 1 min. after filling the lime descaling cartridge with granulate, proceed as follows:

- Switch off the power and unplug.
- Push the lime descaling cartridge down fully.
- Put the plug back in and switch on the power. The fault should now be rectified.

4.3.2 Replacement of used descaling cartridge



Caution



Switch off the power and unplug.

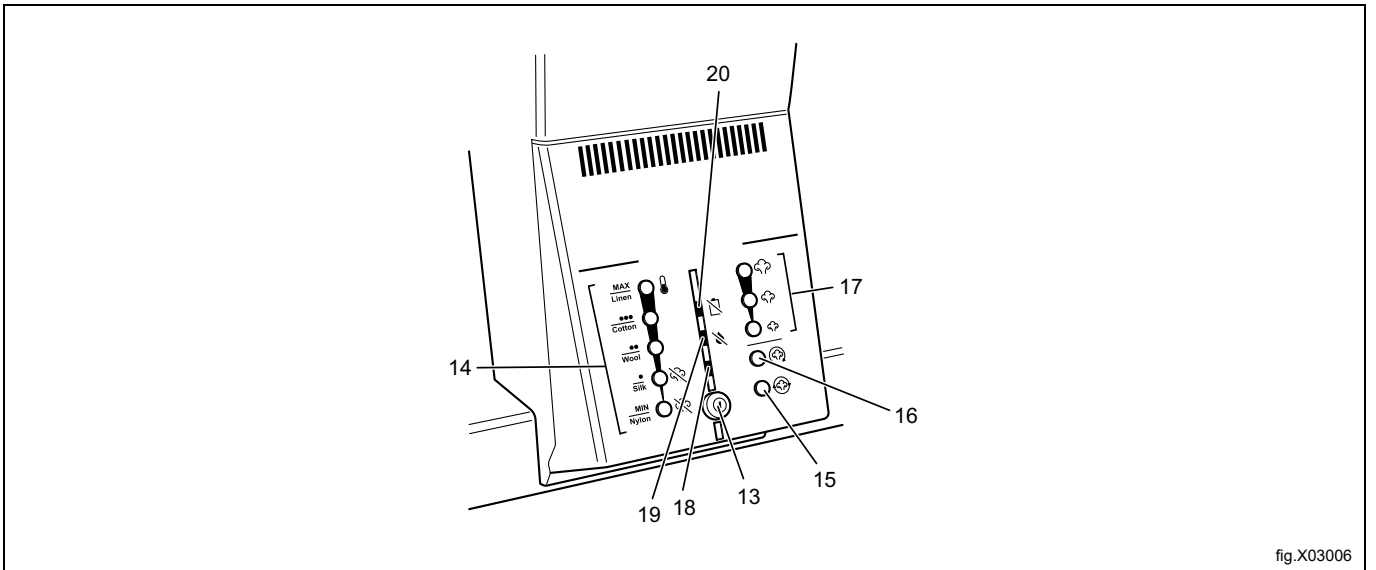
An electronic water monitor ensures that the water supply to the steam generator is automatically shut off if the descaling granulate is used up (after approximately 10 l to 20 l water consumption).

One spare lime descaling cartridge is supplied with the ironer, further descaling cartridges are available from your dealer.

1. The "Descaling Granulate Used blue LED" (20) illuminates.
2. Remove the cap of filler opening (4) by pulling upwards, remove the lime descaling cartridge from the water tank and dispose of the used lime descaling cartridge in the waste. Flush the sieve as well as the cap with clean water.
3. Remove the new lime descaling cartridge from the plastic bag, place it in the water tank and close the filler of the water tank with the cap.

5 Settings

This chapter provides information on all the electronic functions for your steam ironer and the best settings for ironing.



5.1 Function of operator's console

Power Switch button (13)

Immediately after the Power Switch (13) is switched on, the green LED (18) Power On illuminates. The LED of the preselected heat setting (14) flashes red until the temperature is reached. It then changes to a steady light. Do not switch off the power until the ironing roller has been completely raised, and then unplug.

Remaining Water level display (19)

Remaining Water level display LED (19) illuminates blue if there is no water or there is only 10% water in the water tank. The water tank must now be filled before any further steam ironing.

Descaling Granulate Used display (20)

Descaling Granulate Used LED (20) illuminates blue when the descaling granulate in the lime descaling cartridge has been used up.

Heat Settings buttons (14)

The red LED of the preselected Heat Setting (14) flashes when the steam ironer is switched on. Select the required heat setting for ironing and wait until the corresponding LED shows a steady red light. If a new temperature setting is selected (including a lower setting), the corresponding LED flashes until the selected temperature is reached. Your steam ironer has five different heat settings, i.e. Synthetic, Silk, Wool, Cotton and Linen.

Temperatures are set in the programs:

- Leinen 190°C (temperature interval +/- 10%)
- Cotton 160°C
- Wool 130°C
- Silk 100°C
- Synthetics 70°C

Note!

Ironing with steam is not possible at heat settings Synthetic and Silk, and this is indicated by symbols.

Continuous Steam button (15)

When button (15) Continuous Steam is pressed, the blue LED illuminates. At the same time one of the buttons for steam settings (17), A, B or C flashes blue until the steam generator has heated up. The LED then remains illuminated and steam generation begins. The steam ironer now produces steam even if the foot pedal is not pressed and it is possible to select between three steam settings (min. A, medium B and max. C).

Demand Steam button (16)

When button (16) Demand Steam is pressed, the blue LED illuminates. At the same time one of the buttons for steam settings (17), A, B or C flashes blue until the steam generator has heated up. The LED then remains illuminated and steam generation begins. It is now possible to select between three steam settings min. A, medium B and max. C. The steam ironer now only produces steam for settings B to C when the foot pedal is pressed.

Steam Setting buttons (17)

By means of the three buttons (17), A, B and C, it is possible to vary the amount of steam for the different steam settings. 17A for minimum steam, 17B for medium steam, 17C for maximum steam. The corresponding LED flashes until the steam generator has heated up. The LED then remains illuminated and steam generation begins.

5.2 Ironing settings

5.2.1 Ironing without steam

1. Immediately after the Power Switch (13) is switched on, the green LED (18) Power On illuminates. The LED of the preselected Heat Setting (14) flashes red. Select the required temperature setting for ironing and wait until the corresponding red LED illuminates steadily.
The heating shoe temperature is automatically reheated during ironing. If a new temperature setting is selected (including a lower setting), the corresponding LED flashes until the selected heating shoe temperature is reached.
2. If the current temperature setting is selected again, the heater is switched off and the red LED goes out. The heater is now switched off but your steam ironer remains ready for use.
3. If the temperature is set to synthetic or silk, it is not possible to iron with steam.

Note!

When ironing without steam, the garment should be still slightly damp or dampened, i.e. sprayed with water, to achieve the best result. It is recommended to roll sprayed garments together and leave them for 1 to 2 hours for the dampness to penetrate completely.

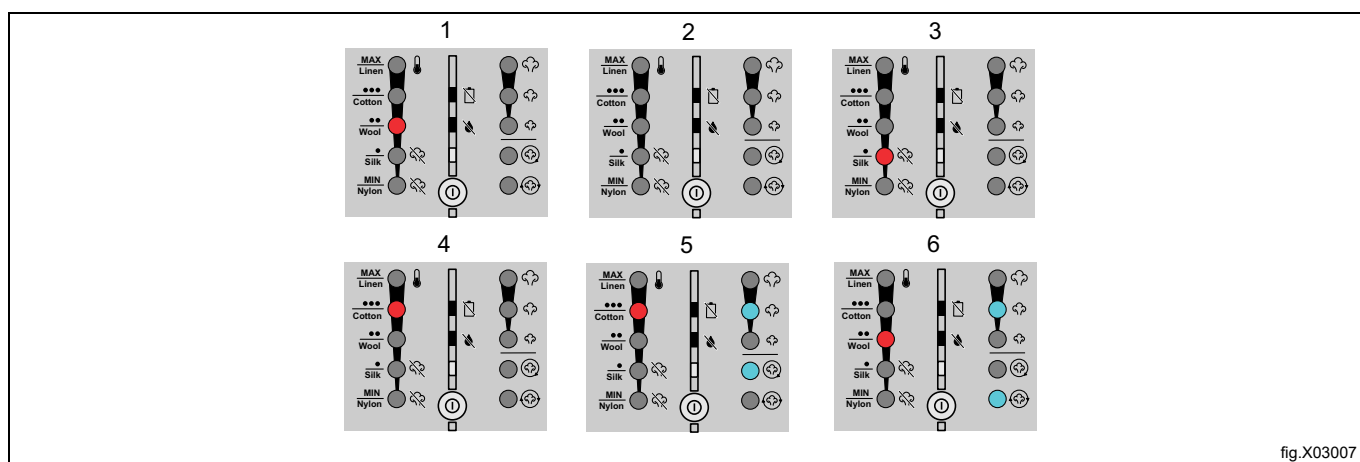


fig.X03007

5.2.2 Ironing with demand steam

The steam ironer steams only when the foot pedal is in position B or C. It is now possible to select between three steam settings min. 17A, medium 17B and max. 17C. This means that less energy and water are required, which is very environmentally friendly.

1. Immediately after the Power Switch (13) is switched on, the green LED (18) Power On illuminates. The LED of the preselected Heat Setting (14) flashes red. Select the required temperature setting Wool, Cotton or Linen for ironing and wait until the corresponding red LED illuminates steadily. The heating shoe temperature is automatically maintained during ironing. If a new temperature setting is selected (including a lower setting), the corresponding LED flashes until the selected heating shoe temperature is reached.
2. If the current temperature setting is selected again, the heater is switched off and the red and blue LED goes out. The heater is now switched off but your steam ironer remains ready for use.
3. When button (16) Demand Steam is pressed, the blue LED illuminates. At the same time, the medium blue steam setting flashes until the steam generator has heated up. The LED then remains illuminated and steam generation begins. Select one of the three steam settings.

5.2.3 Ironing with continuous steam

The steam ironer steams even if the foot pedal is not pressed and you can select between the three steam settings min. 17A, medium 17B and max. 17C to match the amount of steam to the garment and thus obtain the best result.

Ironing with continuous steam is suitable for ironing woolen pullovers or velvet garments that are not to be pressed. Instead these are smoothed by passing them over the heating shoe and the continuous steam with the ironing roller raised. Ironing with continuous steam is also suitable for garments that, due to their size, can be ironed directly one after the other.

1. Immediately after the Power Switch (13) is switched on, the green LED (18) Power On illuminates. The LED of the preselected Heat Setting (14) flashes red. Select the required temperature setting Wool, Cotton or Linen for ironing and wait until the corresponding red LED illuminates steadily.
2. The heating shoe temperature is automatically reheated during ironing. If a new temperature setting is selected (including a lower setting), the corresponding LED flashes until the selected heating shoe temperature is reached.
3. When button (15) Continuous Steam is pressed, the blue LED illuminates. At the same time, the medium blue steam setting flashes until the steam generator has heated up. The LED then remains illuminated and steam generation begins. Select one of the three steam settings.

5.2.4 After ironing

Operate the Power Switch. The green LED goes out. Now unplug from the socket.

Do not fold the steam ironer until it has fully cooled down!

6 Examples of application

6.1 General instructions for ironing with your steam ironer

Note!

Before ironing please look at the care instructions for ironing in your items.

Place the garment in position so that zip fasteners, buttons, hooks, etc. face upwards towards the roller and neither they nor the heating shoe (2) are damaged. If this is not possible, place a cloth underneath. In this way you can also protect prints on the items you are ironing.

It is possible to iron without steam, with demand steam or with continuous steam.

For certain materials such as Angora wool or cut-pile materials, the use of the iron roller for pressing or ironing is not recommended, but instead the garment should be drawn over the steam slot with continuous steam selected.

The large ironing area also enables bed linen and table cloths to be ironed without difficulty and the large collecting table holds the garments flat after ironing.

After ironing, lay the garments together and allow them to cool.

6.2 Ironing small items such as tea towels

1. Place the item on the support plate and slide it between the heating shoe and iron roller so that it is caught by the roller when the foot pedal is pressed.
2. Allow the item to run through.
3. The ironed item is automatically folded on the collecting table.

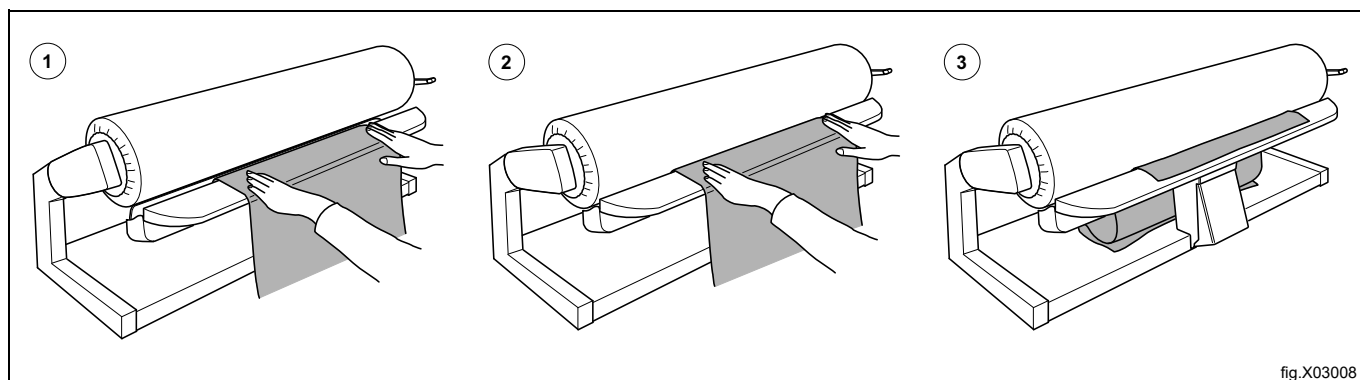


fig.X03008

6.3 Ironing large items such as table cloths

1. First iron the short center section of the table cloth.
2. Then draw the table cloth forwards out over the heating shoe and fold it in the middle.
3. Place the table cloth so that the ironed part projects at one end of the heating shoe.
4. Place your index finger between the two layers of material as a guide and allow the table cloth to run through. If necessary, turn over the table cloth and iron it on the other side.

Note!

For very large items, first iron the short center section and fold it together in the middle. Then iron the necessary sections in the lengthwise direction up to just before the pleat.

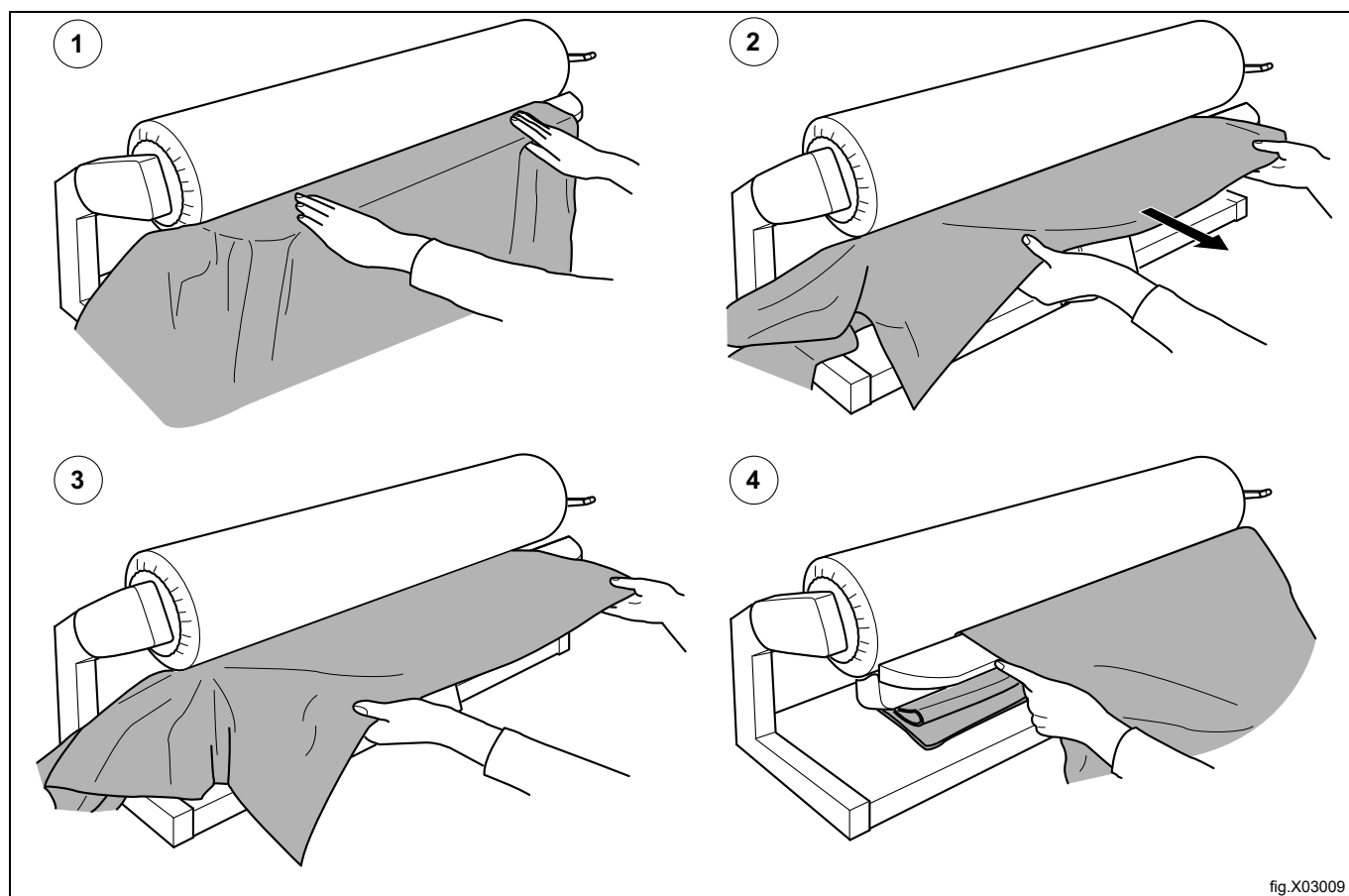


fig.X03009

6.4 Ironing bed linen such as covers

A cover can be ironed either from the left or right side. In both cases, button it up or zip first and make sure that the buttons or zipper face upwards towards the ironing roller.

Because a cover always consists of two layers of material, it should not be folded for ironing. A cover must be ironed section by section and where there is heavy creasing it should be ironed from both sides.

Covers are basically ironed in the lengthwise direction starting from the buttonhole side.

Begin at one end of the cover and iron the necessary sections.

Each time pull the cover forwards out over the heating shoe and position it again.

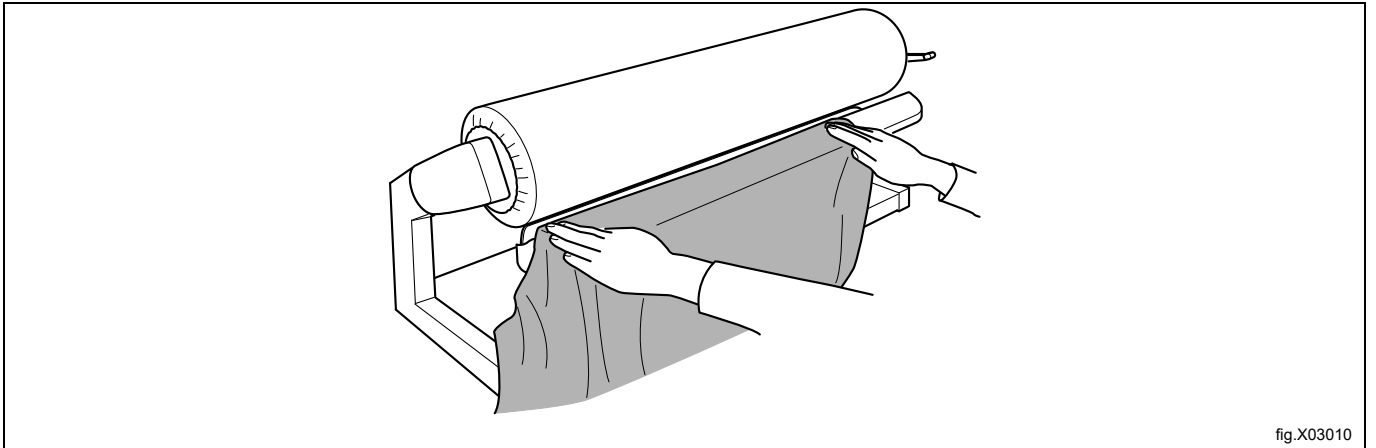
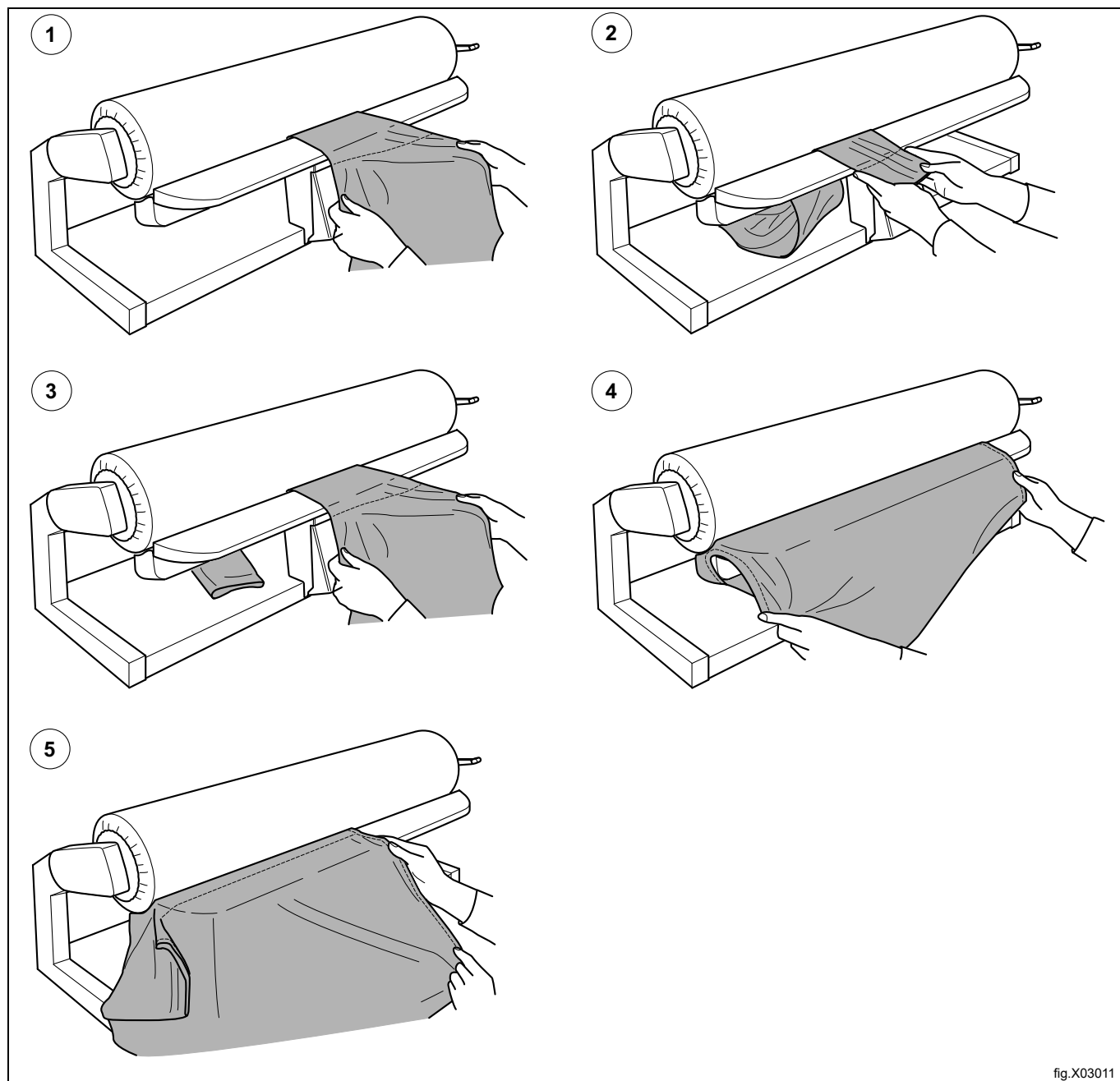


fig.X03010

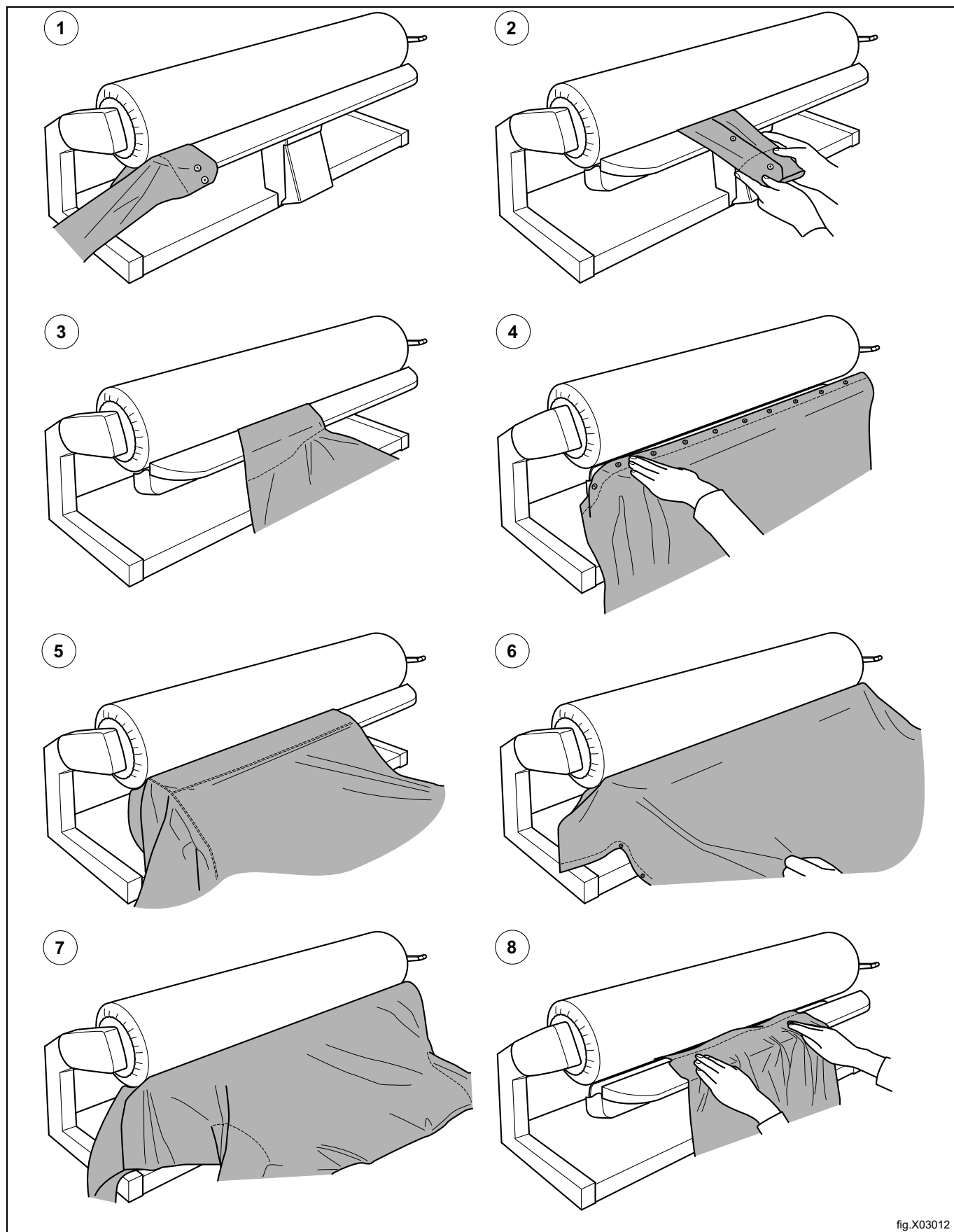
6.5 Ironing t-shirts

1. Begin at the sleeves. Insert the sleeve of the T-shirt at a slant (parallel to the sleeve seam) and iron it up to the sleeve seam.
2. For T-shirts with long sleeves, the sleeves should first be ironed up to the cuff, starting from the middle.
3. Then insert the sleeve of the T-shirt at a slant to elbow height (parallel to the sleeve seam) and iron it from the center up to the sleeve seam.
4. Now pull the T-shirt over one end of the heating shoe, first iron the back, then the side seam and finally the front and second side seam.
5. When ironing side seams, pull the T-shirt outwards each time so that the area under the sleeves can be ironed easily.



6.6 Ironing shirts or blouses

1. Place the cuff on the end of the heating shoe and iron it. Repeat the process for the second cuff.
2. Now insert the sleeve of the shirt to elbow height and iron it, while maintaining a slight pull, from the center of the sleeve up to the cuff, making sure that the cuff slit is facing upwards. If necessary, turn the sleeve over and iron it from the other side.
3. Then insert the sleeve at a slant to elbow height (parallel to the sleeve seam) and iron it from the center up to the sleeve seam. If necessary turn the sleeve over and iron it from the other side. Repeat the process for the second sleeve.
4. Place the button placket so that the buttons face upwards and iron the front up to the sleeve seam.
5. Pull the shirt outwards and iron over the side seam to approximately 15 cm into the back. Repeat the process for the other front.
6. Place the hem of the back on the heating shoe and iron the back up to the start of the sleeve.
7. Now pull both sleeves over the free ends of the heating shoe. Iron the shirt up to the collar. If there are back pleats, draw them together so that the pleats lie properly. If the shirt cannot be pulled over the free end of the heating shoe, insert the back as has been done for the front and iron from sleeve seam to sleeve seam.
8. Press the collar starting from the left end, turn it over and then press the right end of the collar.



6.7 Ironing trousers

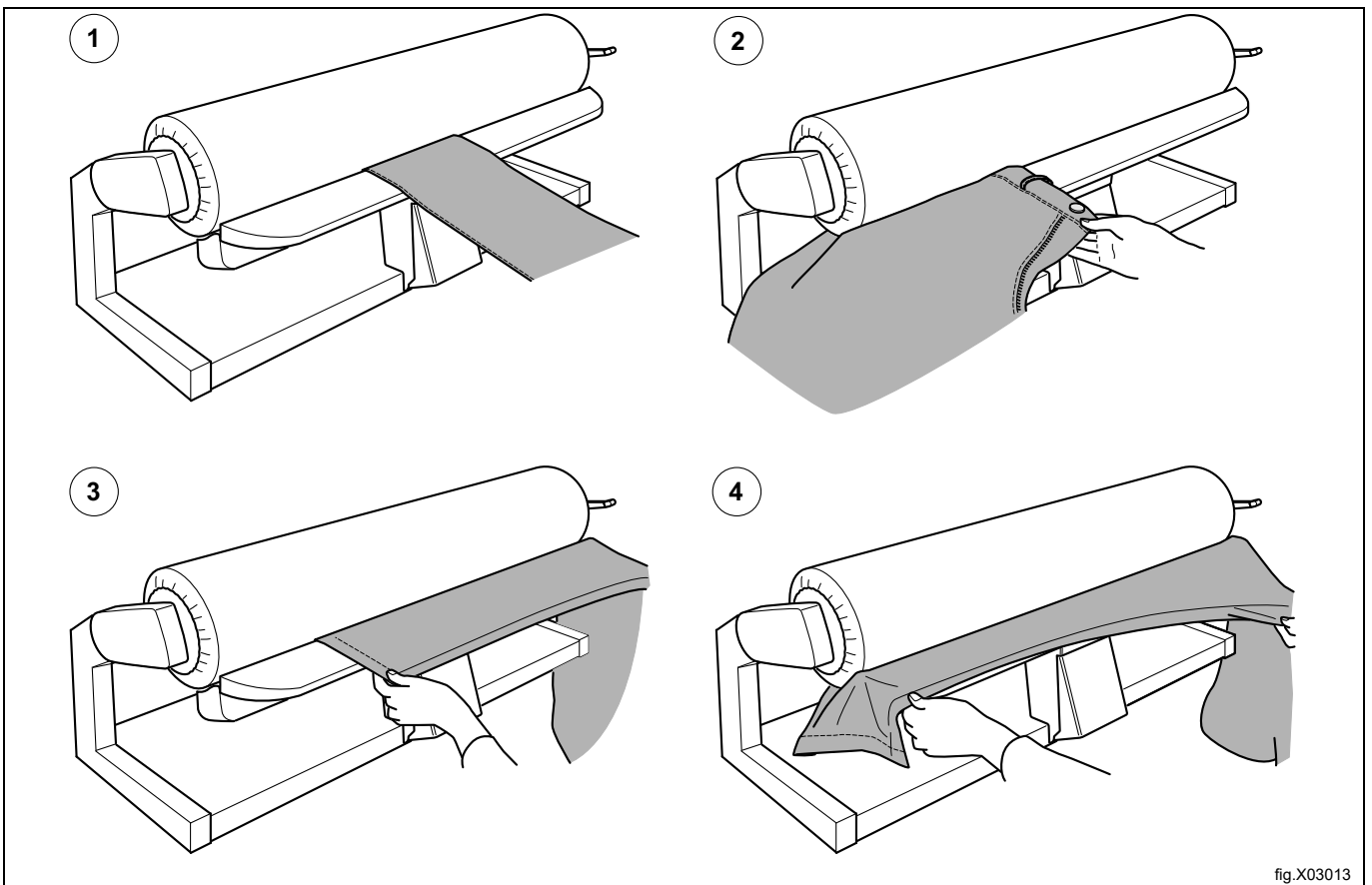
1. Iron the legs on both sides from the bottom up to the crotch seam. Repeat the process for the other leg.
2. Pull the top part of the trousers over one free end of the heating shoe. Make sure that the zip is facing upwards towards the roller. Iron the top of the trousers working from the center back to the center front.

6.8 Dampen trousers with ironing creases

Note!

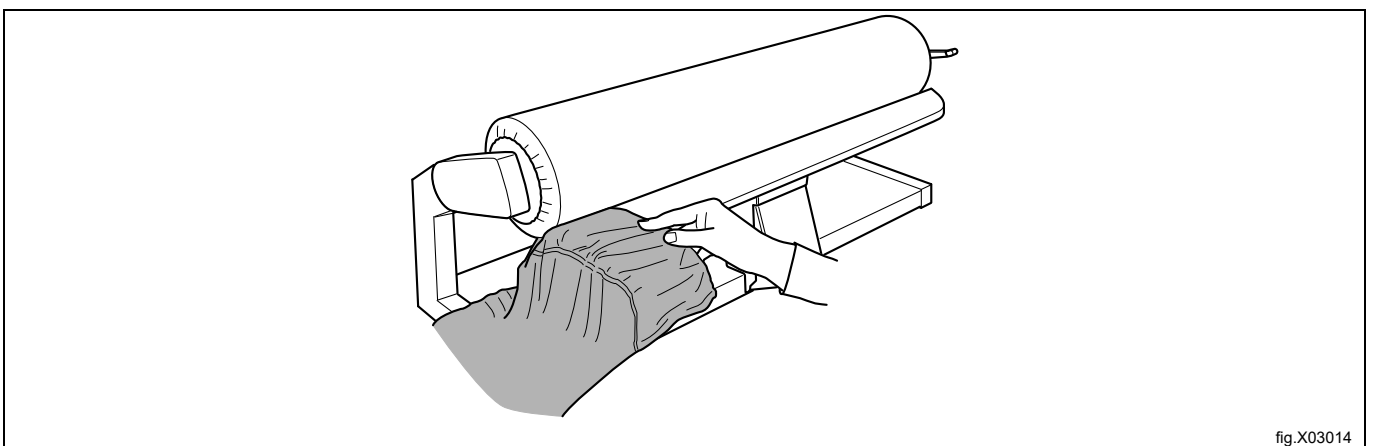
Depending on the material, it is advisable to place a damp cloth over the heating shoe, to avoid shiny areas.

3. The trousers are pressed only with the ironing roller upright. First press the bottom front creases and then the back creases from both sides.
4. Now pull the trousers to the left and press the top break in the crease from both sides.



6.9 Ironing frills or folds

Frills and folds are always ironed at a free end of the heating shoe. Iron slowly.



7 Care of the machine

This chapter contains all the information for the care of your steam ironer.



Caution



For your own safety you should, where possible, always switch off the power switch of the steam iron and unplug when servicing the machine.

7.1 General notes on caring of the machine

To clean the steam ironer, use a dry, clean, soft, line-free cloth. Particularly stubborn dirt can be removed using a soft cloth and a commercial cleaning agent.

Use a commercial cleaning agent to clean the ironing sole plates. Never scratch or scrape the heating shoe.

If it is necessary to renew the ironing roller cover, only use original ironing cloths and original patting covers obtainable from your dealer.

7.2 Replacing or renewing the ironing roller covers



Caution



The ironing roller covers may only be replaced when the heating shoe is cold.

The ironing roller is covered by three layers.

- A. Ironing cloth of grey cotton, replaceable. This cover can be washed at 30°C. However, there is a risk the cover shrinks when washed. In this case, we recommend fitting a new ironing cloth.
- B. Patting cover of moleton, replaceable. This cover may not be washed but should only be shook out slightly.
- C. Jute cover, not replaceable.

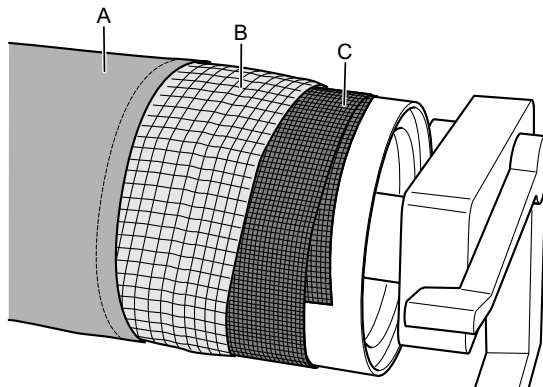


fig.X03015

7.3 Unwinding the ironing covers

1. Pull out the cord loops at both ends of the roller and open the loops.

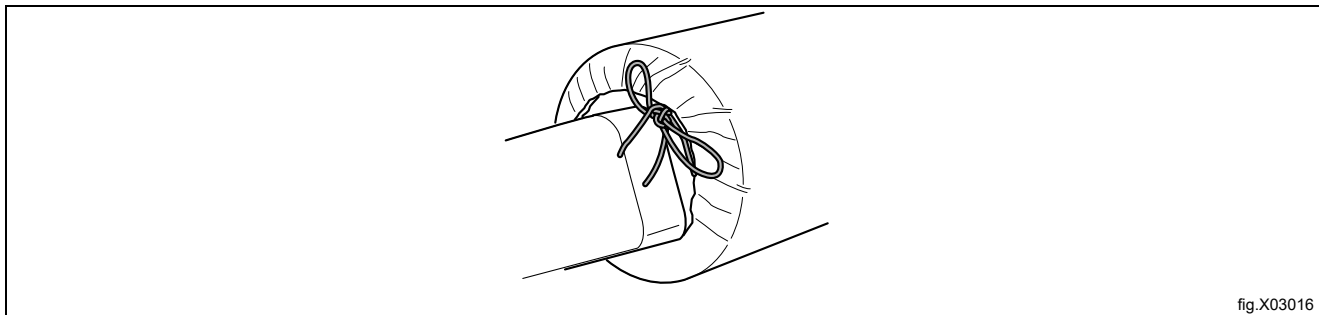


fig.X03016

2. Switch on the Service function: Press and hold button (15) Continuous Steam and switch on the power switch. The heater for the heating shoe is switched off in this mode.

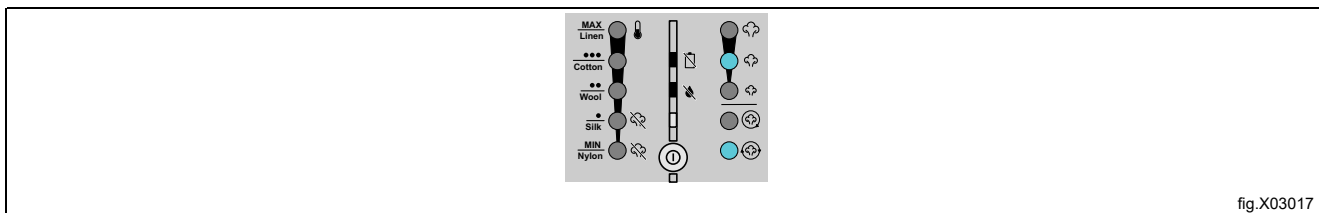


fig.X03017

3. Press the foot pedal and pull the ironing cloth (A) forwards to remove. This causes the ironing roller to rotate in reverse without a closing function.

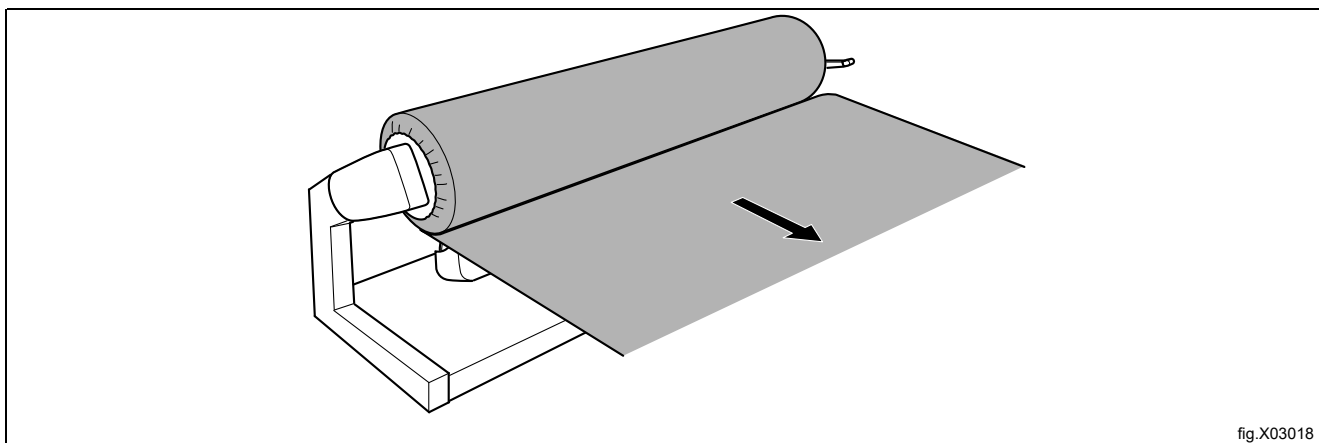


fig.X03018

4. Press the foot pedal again and pull the patting cover (B) forwards to remove. The jute cover (C) remains on the roller.

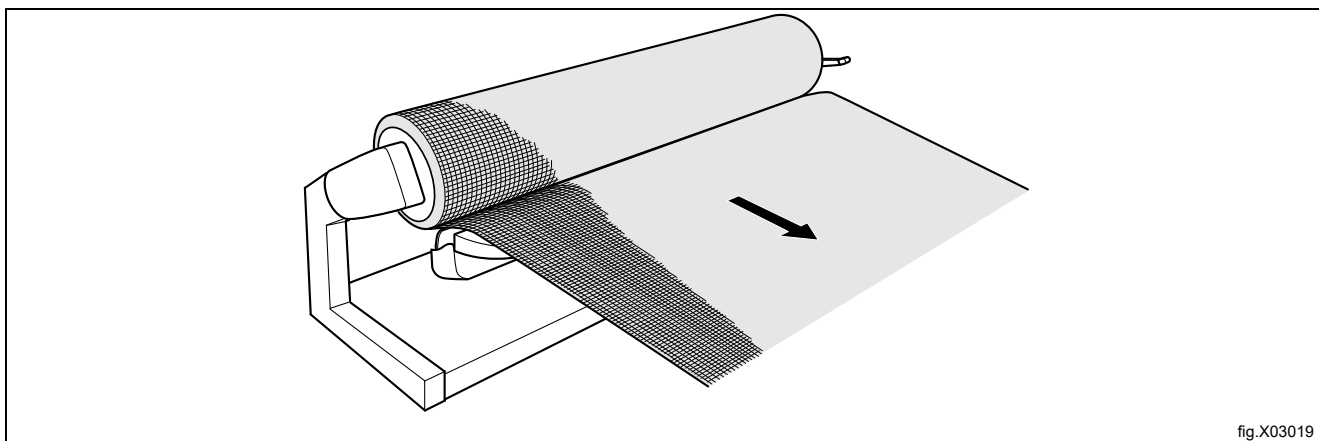


fig.X03019

7.4 Winding the ironing covers

1. Wind the jute cover (C) forwards approx. 25 cm.

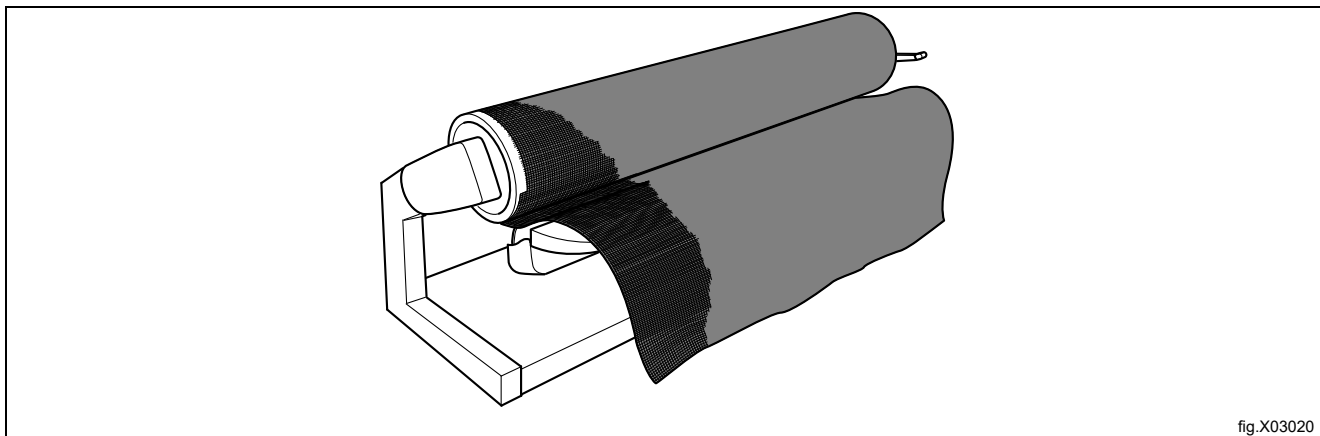


fig.X03020

2. To wrap the ironing roller, press the buttons of steam settings min. 17A and max. 17C. This means that the ironing roller now will not lift off even when the foot pedal is operated.

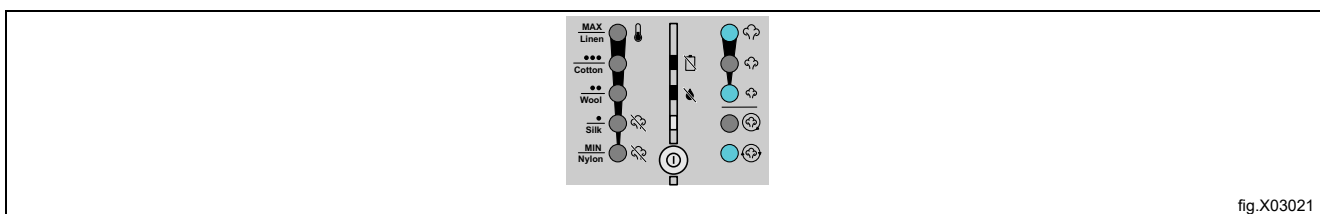


fig.X03021

3. The patting cover has a right and left side, also only one short side of the cover is trimmed. Place the trimmed short side on the jute cover with the left side upwards. Press the foot pedal and wind the patting cover onto the ironing roller.

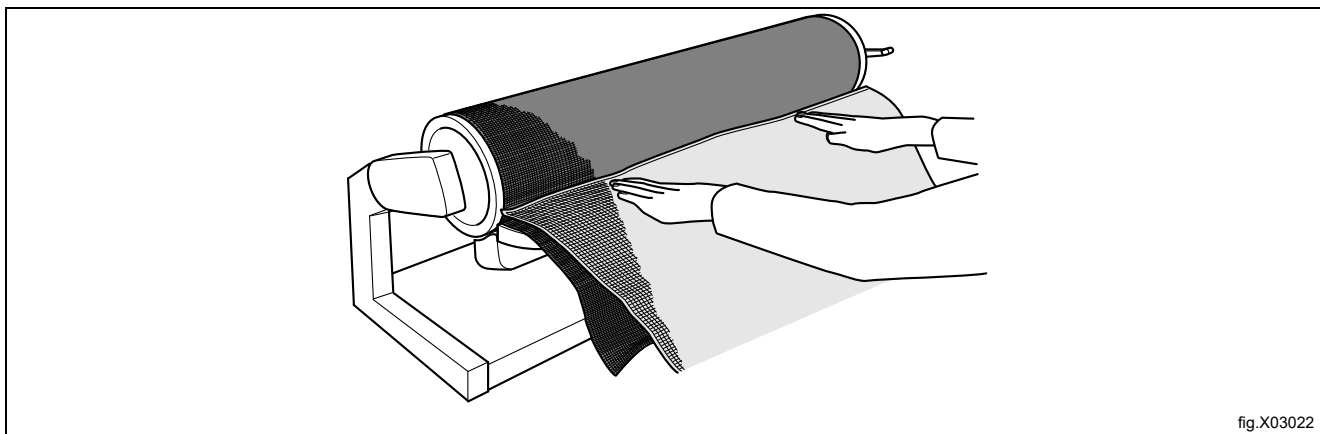


fig.X03022

4. When winding on the patting cover, make sure that the cover is aligned at the left and right with the ironing roller. To do this, spread the patting cover smoothly to the right and left by stroking with the thumb, causing it to slightly expand outwards. After winding on the patting cover, allow the ironing roller to rotate for approximately ten turns.

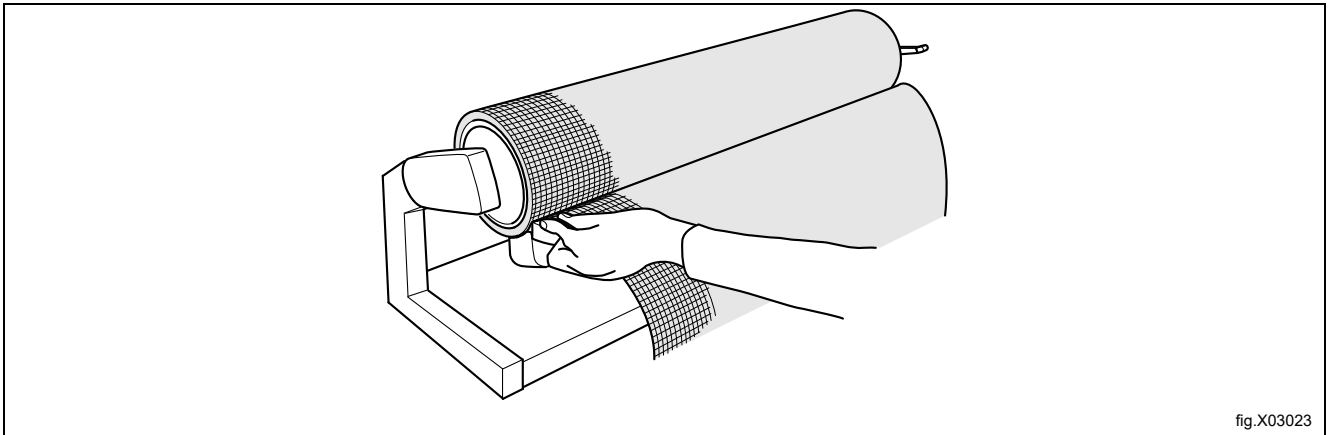


fig.X03023

- After the tenth turn, the end of the patting cover must lie on the top of the ironing roller. Fold the cover downwards and place ironing cloth (A), on the patting cover with the left side upwards. Begin with the short side of the ironing cover and make sure that the cord ends project evenly. Operate the foot pedal and wind the ironing cloth onto the ironing roller.

Note!

The ironing cloth (A) must project evenly at both sides of the ironing roller so that the roller remains open for ventilation.

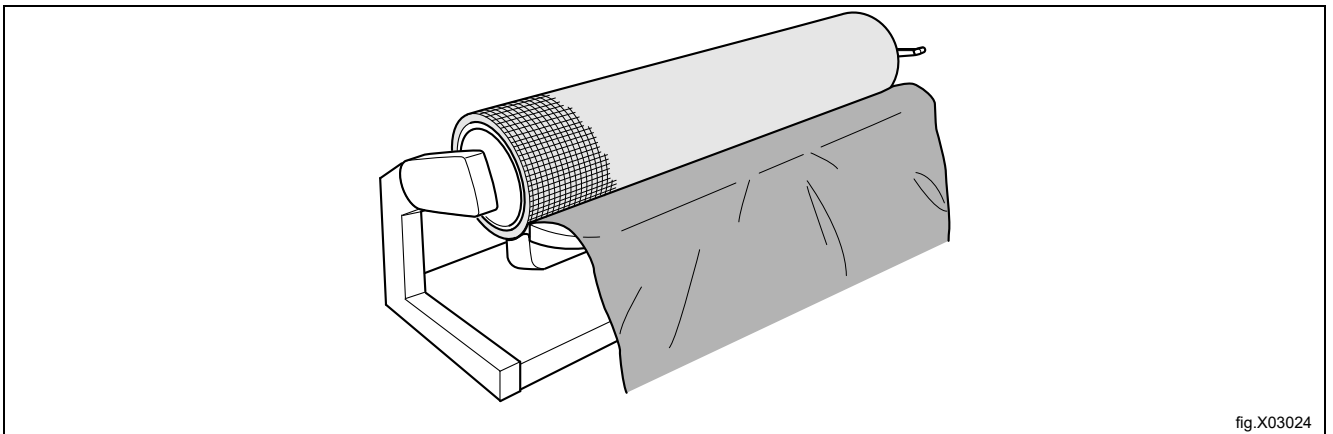


fig.X03024

- Wind on the ironing cloth completely and make sure that the end of the ironing cloth lies on the heating shoe.

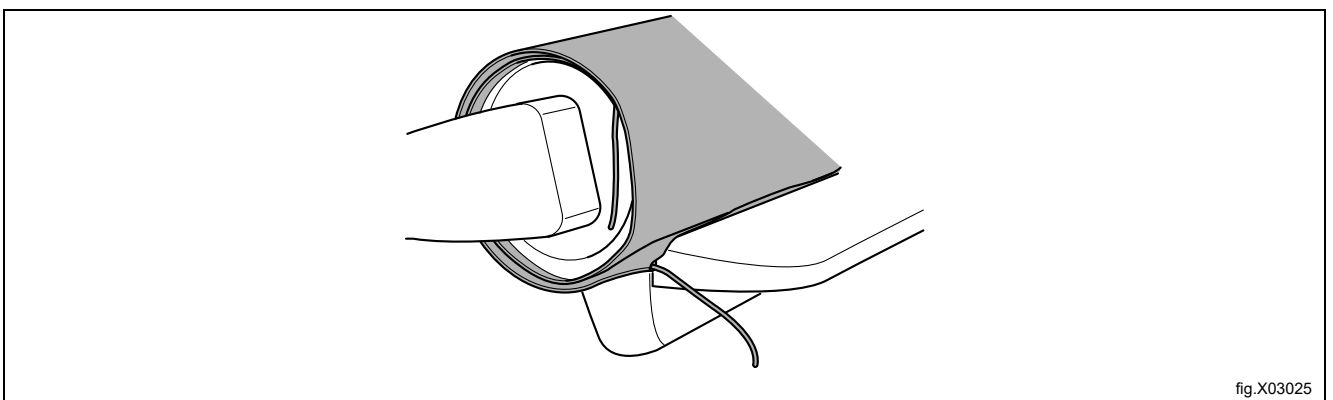
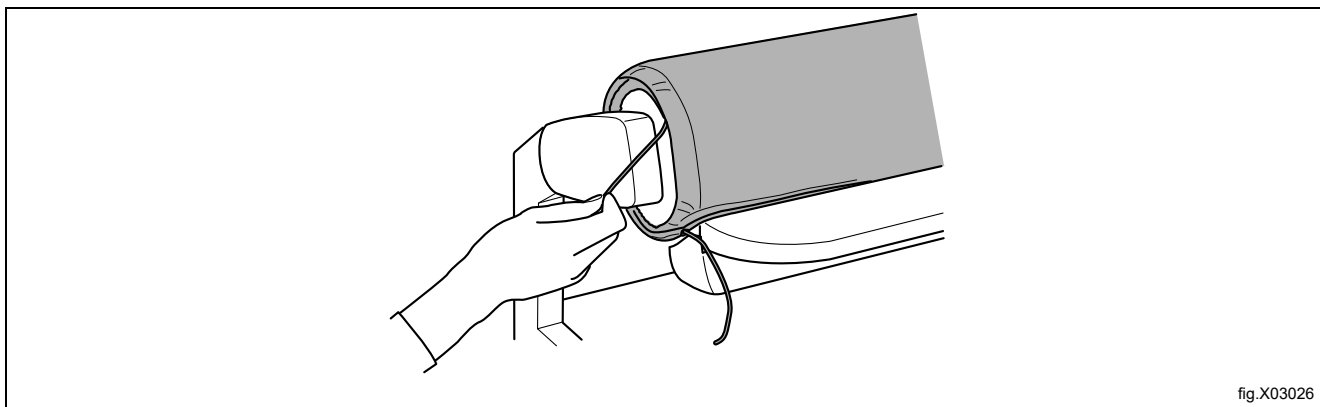
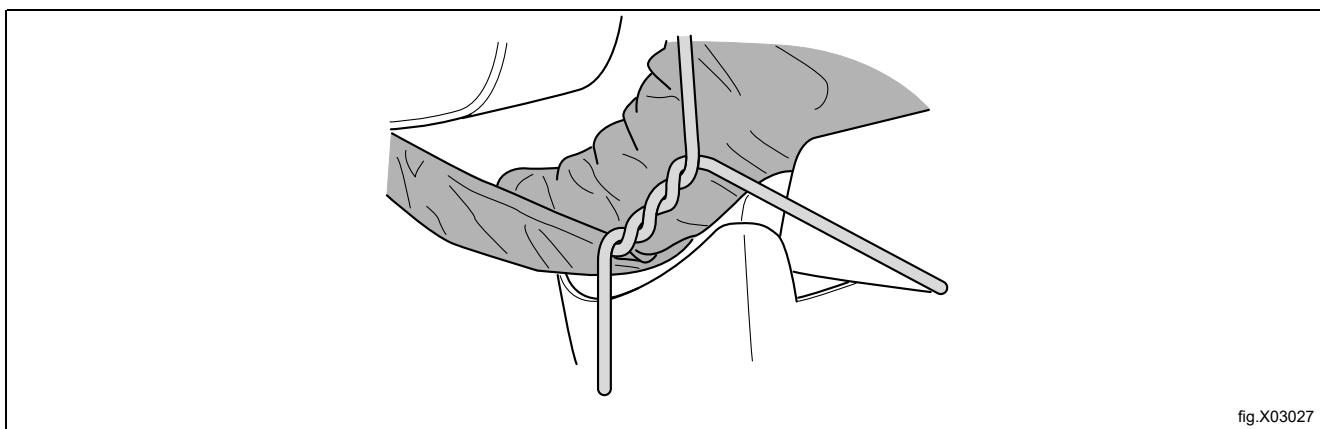


fig.X03025

- Now tighten the cord at both ends of the roller, first on the inner and then on the outer ends of the ironing cloth.



8. Now wrap the cord ends round twice and pull them tight. Then tie a knot and a loop. The end of the cord must remain tensioned during the whole operation. Slide the loop under the ironing cover and operate button (15) Continuous Steam (the steam ironer returns to the main program) or switch the power switch (13) off and then on again. The steam ironer restarts in the main program and the ironing roller lifts up.



7.5 Empty water tank



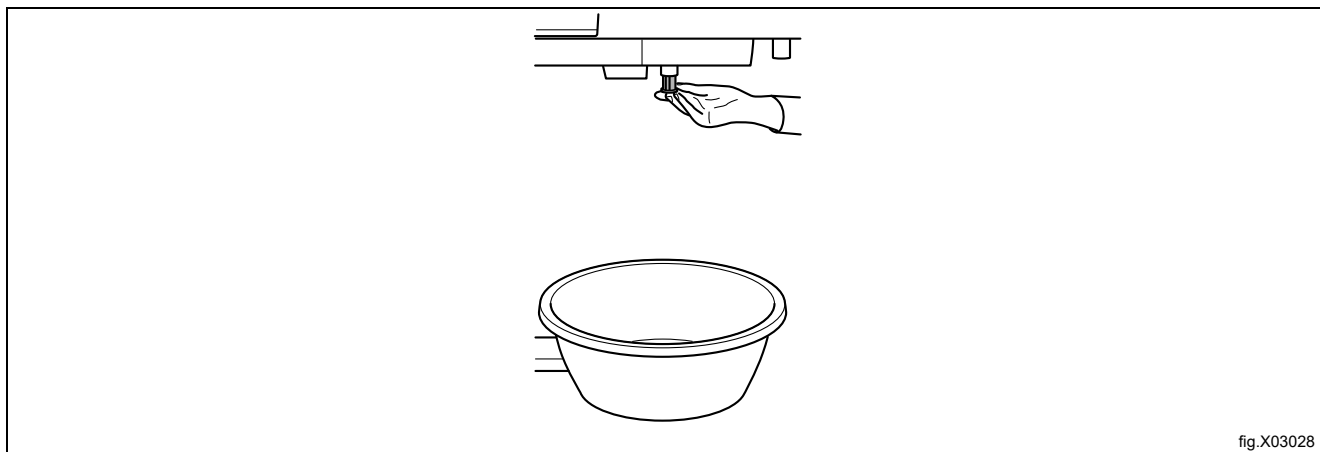
Caution



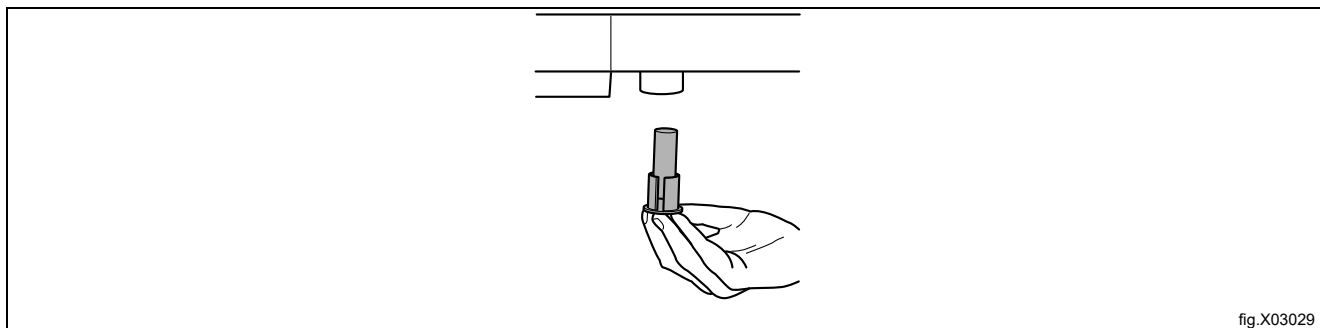
Switch off the power and unplug.

During transport, the steam ironer must be kept upright because otherwise water can leak from the water tank. If this is not possible, the water tank should be emptied. To do this, the steam ironer must be unfolded.

1. Place a bucket under the water tank. Using a suitable coin undo the drain plug (24) and unscrew it completely. When unscrewing the drain plug an expanded polystyrene float for Remaining Water LED (19) drops out. Now drain the water tank.



2. To close the water tank, fit the polystyrene float to the pin of the drain plug and insert it vertically into the opening of the water tank. Now tighten the drain plug.



7.6 Technical specification

Steam Ironer	560	580	103
Dimensions, working position (W x D x H)	76 × 40 × 100 cm	94 × 40 × 105 cm	112 × 40 × 105 cm
Dimensions, folded down position (W x D x H)	52 × 40 × 82 cm	52 × 40 × 100 cm	112 × 40 × 105
Weight	34,5 kg	39 kg	45 kg
Water Tank Capacity (total)	1,9 l		
Excess Temperature Fuse (steam generator/heating shoe)	216/260 °C		
Nominal Voltage (50 Hz)	220–230 V		
Power Consumption (max.)	2,9 kW	3,3 kW (3 kW in UK)	3,3 kW (3 kW in UK)
Fuse (home wiring) at least	16 A / (13 A in UK)		
Ironing Speed (rpm)	2,40–6,80		

8 Disposal information

8.1 Appliance recyclability and disposal

8.1.1 Recyclability

Our appliances are manufactured using a significant percentage of recyclable metals (such as stainless steel, iron, aluminium, galvanized sheet, copper, etc.), which can be recovered through the local recycling systems, in compliance with the regulations in force in the country of use.

National regulations regarding waste disposal may vary. Disposal of the appliance must therefore be carried out in accordance with the applicable legislation and the directives issued by the competent authorities in the country where the appliance is decommissioned.

The components of the appliance must be separated and disposed of in accordance with their material composition (e.g. metals, oils, greases, plastics, rubber, refrigerant gases, insulating boards and other insulating material, glass wool, LEDs, etc.) and in full compliance with applicable local and international waste management regulations.

Compressors may contain oils and refrigerants fluids - are special waste and has to be recycled on local bases regulations.

8.1.2 Procedure regarding appliance disposal and component / material recovery

This product should not simply be disposed of in the environment at the end of its life cycle; it is imperative instead either to dispose of it in accordance with local environmental regulations, or, preferably, to deliver it whole to an authorized recycling center.

All removed components, including doors and other structural parts, must be delivered together with the appliance to an authorized recycling or dismantling facility.

The dismantling/recycling center will apply state of the art technologies and methods available to them to effectively disassemble the products for best recyclability.

Note that printed circuit boards, electrical motors or other components identified in European Union legislation to be of high critical raw materials recovery potential need to be addressed specifically.

In case of doubts or questions, always refer to your reference customer care service.

Before disposing of the appliance, carefully inspect its physical condition and preservation state, checking for potential leaks of liquids or gases, as well as for broken parts that may pose hazards during handling and subsequent dismantling.



The symbol on the product indicates that this product should not be treated as domestic waste, but must be correctly disposed of in order to prevent any negative consequences for the environment and human health. For further information on the recycling of this product, contact the local dealer or agent, the customer care service or the local body responsible for waste disposal.




Note!

When dismantling the appliance, any marking, this manual and other documents concerning the appliance must be destroyed.

8.2 Disposal of packing

The packing must be disposed of in compliance with the current regulations in the country where the appliance is used. All the packing materials are environmentally friendly.

They can be safely kept, recycled or burned in an appropriate waste incineration plant. Recyclable plastic parts are marked as following examples.

	Polyethylene: <ul style="list-style-type: none"> • Outer wrapping • Instructions bag
	Polypropylene: <ul style="list-style-type: none"> • Straps
	Polystyrene foam: <ul style="list-style-type: none"> • Corner protectors



Electrolux Professional AB
341 80 Ljungby, Sweden
www.electroluxprofessional.com