

Cooking accessories

Open Base with Tray GastroNorm Support, 6 and 10GN1/1&2/1 Ovens

ITEM # _____

MODEL # _____

NAME # _____

SIS # _____

AIA # _____



922612 (OPBATRSU61011) Open base with tray support for 6 & 10 GN 1/1 oven

922613 (OPBATRSU61021) Open base with tray support for 6 & 10 GN 2/1 oven

Main Features

- Supplied with 1 tray support for 6 trays as standard, with the possibility to add a second one.
- Pre-arranged for an easy installation of the ovens (no need to remove feet).
- The bottom of the base features holes for assembling.

Construction

- Constructed entirely in stainless steel to offer maximum durability.

Optional Accessories

- Wheel kit for 6 & 10 GN 1/1 and 2/1 GN oven base (not for the disassembled one) PNC 922003
- Tray support for 6 & 10 GN 1/1 oven base (only for 922612) PNC 922690
- Tray support for 6 & 10 GN 2/1 oven base (only for 922613) PNC 922692
- Bakery/pastry runners 400x600mm for 6 & 10 GN 1/1 oven base (only for 922612) PNC 922702

Key Information:

External dimensions,

Width:

922612 (OPBATRSU61011)	865 mm
922613 (OPBATRSU61021)	1088 mm

External dimensions,

Depth:

922612 (OPBATRSU61011)	705 mm
922613 (OPBATRSU61021)	901 mm

External dimensions,

Height:

	770 mm
--	--------

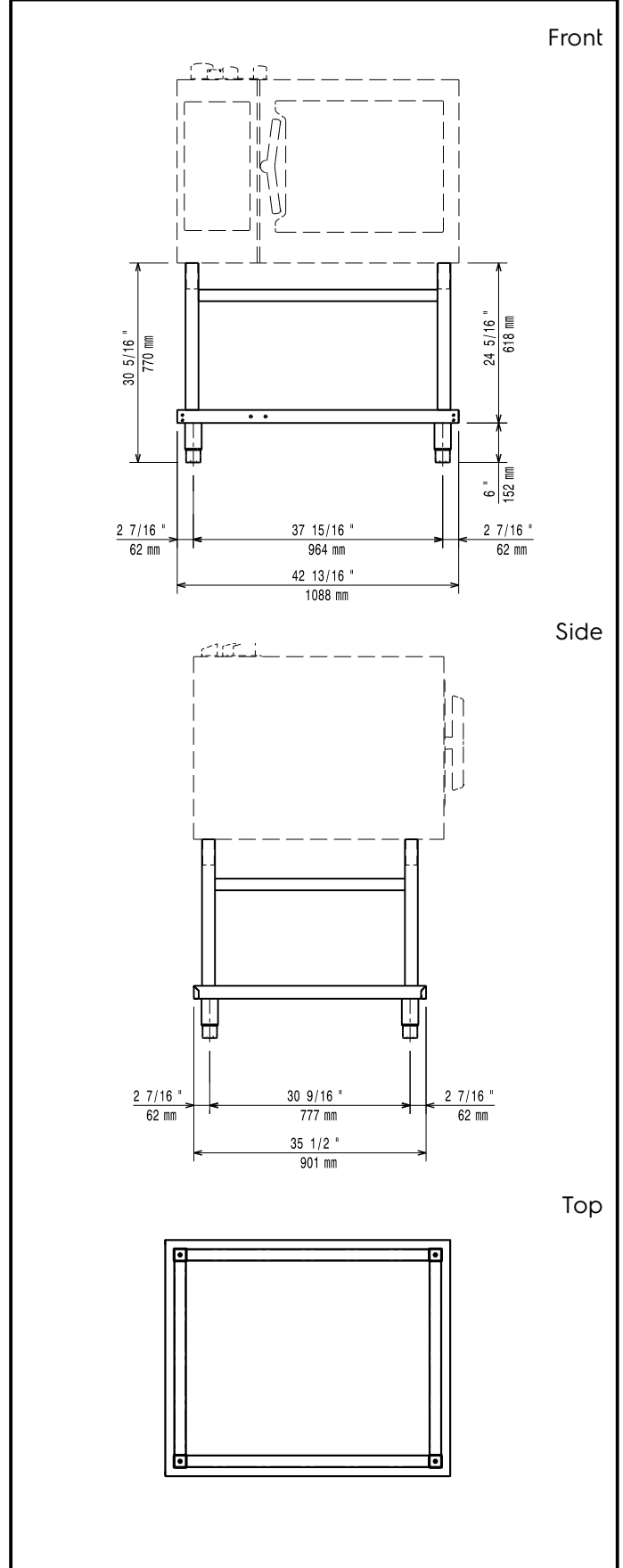
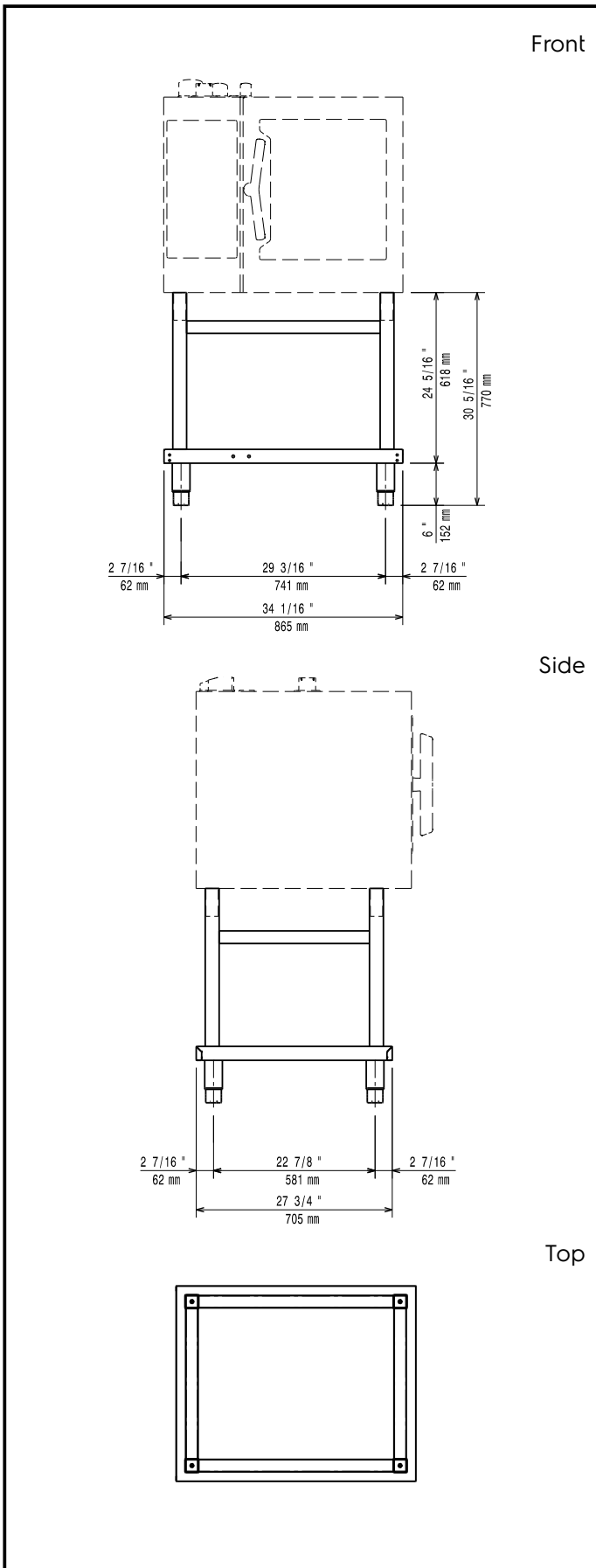
Net weight:

922612 (OPBATRSU61011)	36.5 kg
922613 (OPBATRSU61021)	44.5 kg

Shipping weight:

922612 (OPBATRSU61011)	35 kg
922613 (OPBATRSU61021)	68 kg

APPROVAL: _____



Cooking accessories
Open Base with Tray GastroNorm Support, 6 and 10GN1/1&2/1 Ovens

The company reserves the right to make modifications to the products without prior notice. All information correct at time of printing.