

**710406 (EJ2HBAA)**

2-door Refrigerated Counter, -2+10°C, AISI 304 (R290)

Main Features

- Digital control panel allowing the easy and precise setting and control of the internal temperature.
- Operating temperature can be adjusted from -2 to +10 °C to suit different food storage requirements.
- Complies with main international certification bodies and is CE marked.
- Kit 1/2 drawers available as accessory.
- Completely automatic defrosting and automatic evaporation of defrost water by hot gas.
- Forced air cooling system guaranteeing great uniformity of the temperature in the counter and excellent conservation of the food quality.
- Kit 1/3 drawers available as accessory.
- Tropicalized unit

Construction

- Built-in compressor to suit operating conditions.
- External back panel in galvanized steel.
- Legs in 304 AISI stainless steel (150 mm high, adjustable in height), with plastic interior.
- The door self-closes when opened less than at a 90° angle and is equipped with a door seal to guarantee perfect closure.
- High standards of hygiene and ease of cleaning are guaranteed by the rounded internal corners of the cabinet and easily removable runners and grids.
- Internal and external doors, front and side panels and 50mm thick removable worktop in 304 AISI stainless steel.

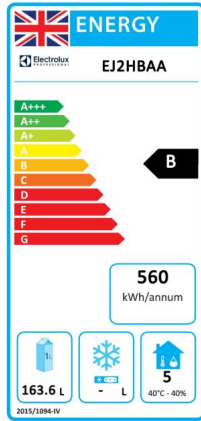
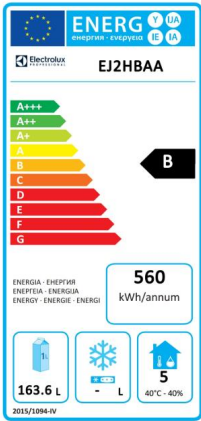
User Interface & Data Management

- Easy serviceability thanks to the intuitive control panel with access via app.
- Integrated RS485 port to facilitate connection to a remote computer and integrated HACCP systems.





A focus on sustainability



EU energy labelling from 1st July 2016

The European energy labelling scheme for professional refrigerators and freezers is based on requirements setting Minimum Energy Performance standards for commercial refrigeration cabinets sold within the EU. These requirements are designed to drive energy efficiency and environmentally friendly approach for professionals. The European energy labelling scheme will apply to all manufacturers and importers who sell and market products within the EU and it is mandatory across Europe. Important: all products which consume energy above the minimum level will not be able to be sold within the EU from 1 July 2016. SI 2020 No. 1528.

Important: all products which consume energy above the minimum level will not be able to be sold within the EU from 1 July 2016.

Certifications & Recognitions



International system for mutual acceptance of test reports and certificates concerning the safety of electrical and electronic components, equipment, and products.



Product assessed by the manufacturer and deemed to meet EU safety, health, and environmental protection requirements.



Find out more:
ISO Certificates
Electrolux Professional Recognitions

The company reserves the right to make modifications to the products without prior notice. All information correct at time of printing.

2026/04/20

2/5

Technical specifications

Electric

Supply voltage:	220-240 V/1 ph/50 Hz
Electrical power max.:	0.22 kW
Compressor power:	1/4 hp

Key Information:

Net Volume:	163.6 lt
N° of doors:	
External dimensions, Width:	1245 mm
External dimensions, Depth:	700 mm
External dimensions, Height:	850 mm
Internal Dimensions, Width:	798 mm
Internal Dimensions, Depth:	560 mm
Internal Dimensions, Height:	510 mm
Net weight:	94 kg
Shipping volume:	1.09 m ³
Depth with doors open:	1310 mm
Gross capacity:	290 liter

Refrigeration Data

Control type:	Digital
Min/Max internal humidity:	40/85
Operating temperature min.:	-2 °C
Operating temperature max.:	10 °C
Operating mode:	Ventilated
Insulation:	90 mm (Cyclopentane)

Sustainability

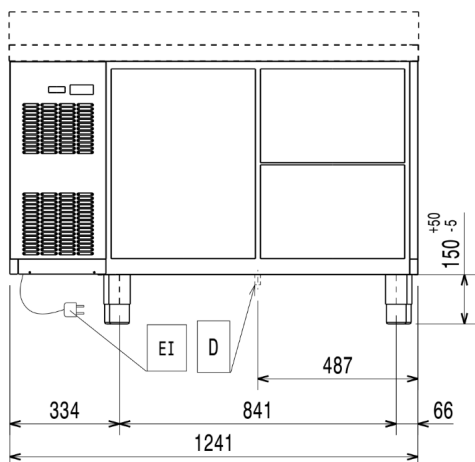
Refrigerant type:	R290
GWP Index:	3
Refrigeration power:	320 W
Refrigerant weight:	45 g
Energy Class (EU Reg. 2015/1094):	B
Climate class (EU Reg. 2015/1094):	Heavy Duty (5)
Energy Efficiency Index-EEI (EU Reg. 2015/1094):	25,36

ISO Certificates

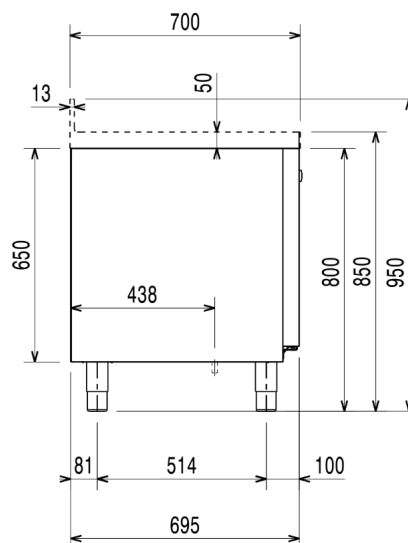
ISO Standards:	ISO 9001; ISO 14001; ISO 45001; ISO 50001
Type reference/certification group:	H6FTN2BHC

Installation drawings

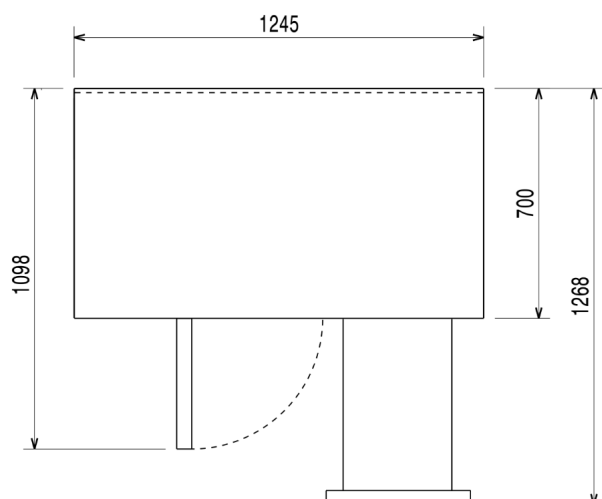
Front



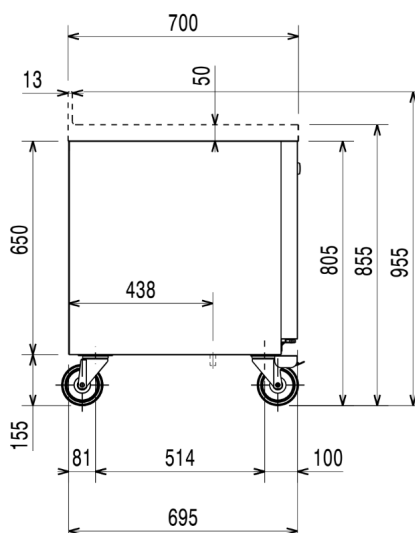
Side



Top



Other



EI = Electrical inlet (power)

Accessories

Included Accessories

PNC Code	Description	Quantity
881109	Kit 1/1 grey rilsan grid and 2 side runners for refrigerated counters	2

Optional Accessories

PNC Code	Description
----------	-------------

Containers, trays and grids

881107	1/1GN grey rilsan grid for refrigerated counters
881108	2 side runners for 1/1 GN ecostore refrigerated counters
881109	Kit 1/1 grey rilsan grid and 2 side runners for refrigerated counters
881110	1/1 GN plastic container, H=65 mm

Doors and drawers

881176	2x½ drawer kit for refrigerated counters - h650mm
881177	3x1/3 drawer kit for refrigerated counters - h650mm (only for refrigerated counters)
881178	1/3 and 2/3 bottle drawer kit for refrigerated counters - h650mm (only for refrigerated counters)
881245	Lock for refrigerator/freezer counters with 2 compartments - h650mm (can be used in kit for Marine conversion)

Feet, wheels and ramps

881191	Kit 4 wheels, H=100 mm (2 with brakes) for refrigerated counters
881193	Kit 4 wheels, H=150 mm (2 with brakes) for 2&3 compartment refrigerated counters
881277	Kit 4 (45mm) spacers for wheels for refrigerator/freezer counters

Other accessories

881298	IoT module for refrigerated cabinets and counters
--------	---