



### **603952 (EPRPROBTD)**

GourmeXpress+ High Speed Oven (5.8 kW) with double magnetron 380-415V/3N/50Hz

## **Main Features**

- Adjustable temperature control from 30°C to 280°C.
- Adjustable impingement speed from 10% to 100% with 10% increment
- Adjustable microwave power from 0% to 100% with 10% increment. With 0% microwave it can be used as a convection oven.
- Easy to use 5" capacitive touchscreen user interface where up to 1024 recipes can be stored.
- Prearranged for USB memory stick data transfer.
- Countdown display and buzzer with adjustable volume at the end of the cycle (or phase in case of multiphase recipes).
- It is possible to create multiphase recipes with different combinations of temperature, microwave and impingement for each phase.
- Ventless equipment, can be installed without extraction hood. Perfect for front house cooking (see handbook for more details).
- For easier recipe management each recipe can be linked to:
  - a dedicated session (i.e. breakfast, lunch, dinner, etc.)
  - a customized image
  - a bar code, to be retrieved with a bar code scanner (available as an optional accessory PNC 653820)
- GourmeXpress+ high power High Speed Oven is the solution for fast and consistent cooking (and reheating) results on different types of products for complete meals (frozen products, breaded products, proteins) but also pastry, hot snacks, appetizers, and much more.
- GourmeXpress+ high power High Speed Oven guarantees high speed cooking results thanks to the combination of :
  - Convection
  - Microwave
  - Impingement (hot air jets)

## **Construction**

- IPX3 protected.
- Removable easy to clean top and bottom hot air jet plates.
- 2" adjustable feet
- Ergonomic door handle.
- Catalytic filters, removable and replaceable.
- Easy to access air filter.
- Compact footprint with a wide 17-liter cooking chamber.
- AISI 304 stainless steel cooking chamber with all rounded corners for easy cleaning.
- Shovel shelf rack on top of the oven.



## Included Accessories

PNC Code	Description	Quantity
653816	Non-stick Teflon sample basket for GourmeXpress High Speed Oven	1
653817	Non-stick Teflon sample mesh basket for GourmeXpress High Speed Oven	1
653819	Aluminium shovel for GourmeXpress High Speed Oven	1

## Optional Accessories

PNC Code	Description
<b>Other accessories</b>	
650243	Bluetooth printer for 50x60mm labels, display in English or Italian. To be managed via dedicated app.
653820	Barcode scanner for GourmeXpress High Speed Oven

## Recommended Detergents

PNC Code	Description
OS2881	S01 STAINLESS STEEL SURFACE POLISHER; 6 BOTTLES X 750ML C/T
OS2882	S02 Degreaser for ovens and SpeedDelight. Specific for cleaning the cooking chambers of GourmeXpress and SpeeDelight. Active up to a maximum of 50°C Complete with spray bottle Pack of 6 750ml bottles
OS2883	S03 ALCOHOL BASE DETERGENT; 6 BOTTLES X 750ML; ADR&IMDG&IATA Limited Quantity
OS2884	S04 GLASSES & HARD SURFACES CLEANERS; 6 BOTTLES X 750ML

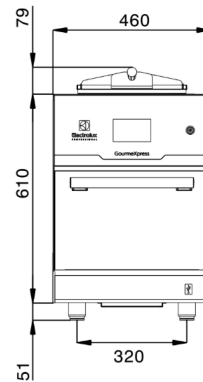


# Technical specifications

## Electric

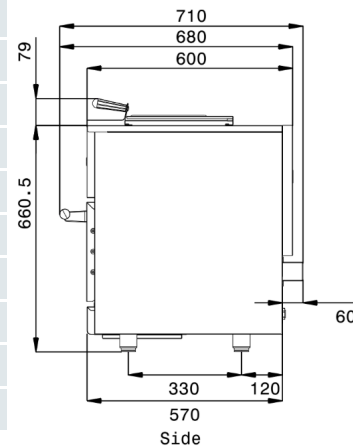
Supply voltage:	380-415 V/3N ph/50 Hz
Rated amps:	14.5 A
Total Watts:	5.8 kW
Plug type:	Cable without plug
<b>Key Information:</b>	
Net Volume:	17 lt
Power details:	Total Power: 5.8 kW Power of Microwave: 2.2kW - 2 magnetron Power of Convection: 5.5 kW
Oven working Temperature:	30 °C MIN; 280 °C MAX
Oven Cavity Dimensions (width):	317 mm
Oven Cavity Dimensions (height):	193 mm
Oven Cavity Dimensions (depth):	294 mm
External dimensions, Width:	460 mm
External dimensions, Depth:	710 mm
External dimensions, Height:	660 mm
Net weight:	81 kg
Shipping weight:	107 kg
Shipping height:	740 mm
Shipping width:	560 mm
Shipping depth:	760 mm
Shipping volume:	0.31 m <sup>3</sup>
Controls:	

Front



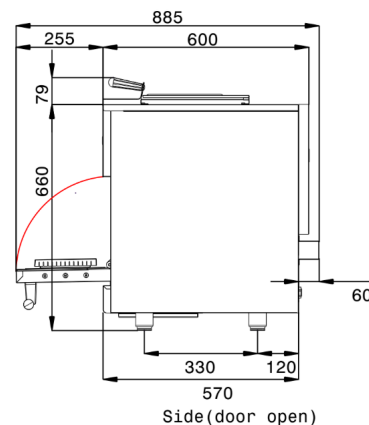
Front

Side



Side

Top



Side (door open)

EI = Electrical inlet (power)

EO = Electrical Outlet



Find out more:  
ISO Certificates  
Electrolux Professional Recognitions

The company reserves the right to make modifications to the products without prior notice. All information correct at time of printing.

2026/04/14

3/3