

**505103 (EHT8G)**

Hood Type Dishwasher, with single skin manual hood, atmospheric boiler, built-in detergent dispenser, rinse aid dispenser and drain pump, 80r/h

Main Features

- Incorporated Soft Start feature to offer additional protection to more delicate items.
- Built-in rinse aid and detergent dispenser with automatic initial and continuous cycle loading for perfect result while minimizing service and maintenance needs.
- Cycle may be interrupted at any time by lifting the hood.
- State-of-the-art electronic controls with built-in programming, self-diagnostics for serviceability and automatic interior self-cleaning cycle.
- Three phase electrical connection, convertible to single phase on-site.
- Unique temperature interlock guarantees required temperatures in both the wash and final rinse in case of emergency cold water feeding.
- Built-in atmospheric boiler sized to raise incoming water to a minimum of minimum 84 °C for sanitizing rinse. No external booster is required. Constant temperature of 84 °C throughout the rinsing cycle regardless of the network's water pressure.
- Automatic self-cleaning cycle and self-draining vertical wash pump and boiler to avoid bacteria proliferation.
- Boiler power setting from control panel to facilitate technician's operation when reducing total installed power, thus avoiding the need of machine opening.
- IP25 protection against water jets, solid objects and small animals (larger than 6 mm).
- Slanted wash arms to avoid detergent-filled wash water dropping on clean dishes after the rinsing phase, thus guaranteeing ideal washing results.
- NSF/ANSI 3 and DIN 10512 compliant
- Maximum capacity per hour of 80 racks or 1.440 dishes (High productivity mode) easy to switch to 63 racks or 1.134 dishes (NSF/ANSI 3 mode) by pressing a button.
- 45/84/150 seconds cycles (High productivity mode); 57/84/150 seconds cycles (NSF/ANSI 3 mode).



Construction

- Element protection from dry fire and low water.
- Single skin hood supported by 3 springs to ensure smooth movement and guarantee operator safety.
- Heavy duty Stainless steel construction. Internal cavity as well as exterior panels are in 304 series Stainless steel.
- Pressed tank in front position to facilitate cleaning.
- Specially designed Stainless steel wash/rinse arms and nozzles provide superior cleaning action.
- Revolving interchangeable Stainless steel wash/rinse arms above and below the rack, screw out for simple clean up.
- Pre-arranged for on-site HACCP implementation and Energy Management device.
- Unit to include drain, detergent and rinse aid dispenser pumps





A focus on sustainability

Sustainability

- Requires only 2 liters of water per washing cycle thus ensuring low energy, water, detergent and rinse aid consumption.
- The machine can be connected to cold water.

Certifications & Recognitions



International system for mutual acceptance of test reports and certificates concerning the safety of electrical and electronic components, equipment, and products.



Product assessed by the manufacturer and deemed to meet EU safety, health, and environmental protection requirements.



UK certification body for plumbing products and materials, helping businesses and consumers choose compliant products that keep water safe.



The product complies with the Plumbing Code of Australia and meets relevant Australian Standards relating to product quality, including health and safety.



Product placed on the Great Britain market and complies with UK regulations and standards.



Find out more:
[ISO Certificates](#)
[Electrolux Professional Recognitions](#)

The company reserves the right to make modifications to the products without prior notice. All information correct at time of printing.

2026/04/21

3/8

Technical specifications

Electric

Supply voltage:	400 V/3N ph/50 Hz
Convertible to:	230V 3~; 230V 1N~ 50Hz
Default Installed Power:	9.9 kW
Tank heating elements:	3 kW
Wash pump size:	0.8 kW
Reducible Installed Power:*	6.9 kW
Boiler Heating Elements Power:	9 kW
Boiler Reducible To:*	6 kW

Water:

Water supply temperature*:	10-65 °C
Drain line size:	20.5mm
Inlet water supply pressure:	0.5-7 bar
Water consumption per cycle (lt):	0 / 2
Boiler Capacity (lt):	12
Tank Capacity (lt):	24

Key Information:

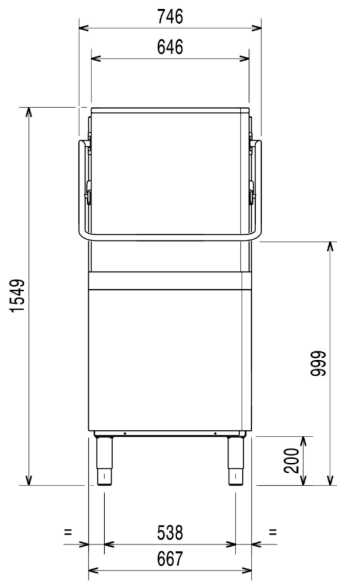
N° of cycles:	3
Duration cycle:*	45/84/150 sec.
Duration cycle - NSF/ANSI 3 compliant:	57/84/150 sec.
Racks per hour:*	80
Dishes per hour:*	1440
Wash temperature:	55-65 °C
Wash temperature - NSF/ANSI 3 compliant:	75 °C
Rinse temperature:	84 °C
External dimensions, Width:	746 mm
External dimensions, Depth:	755 mm
External dimensions, Height:	1549 mm
Net weight:	106 kg
Shipping weight:	119 kg
Shipping volume:	1.23 m ³
Packaging size (WxDxH):	920x780x1720 mm

Air Emission:

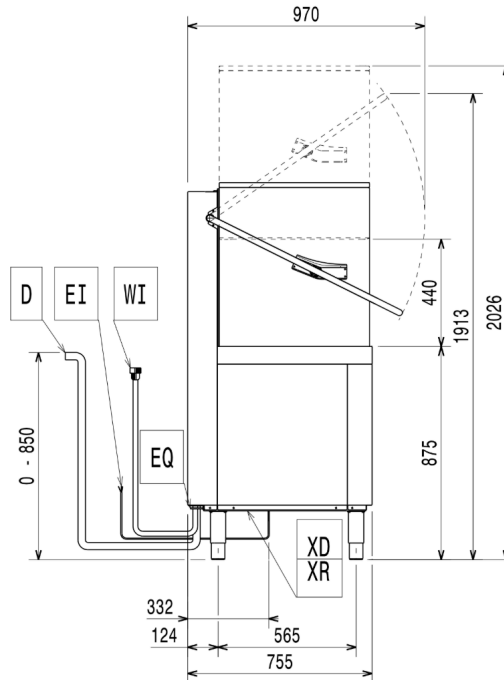
Latent heat:	500 W
Sensible heat:	2000 W

Installation drawings

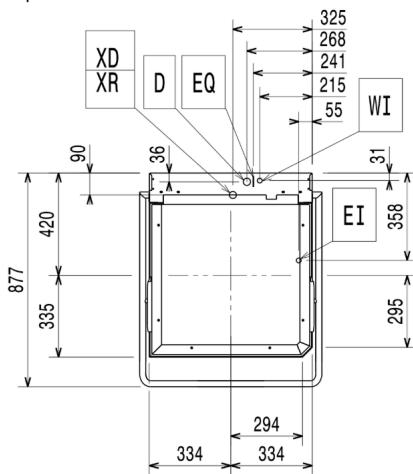
Front



Side



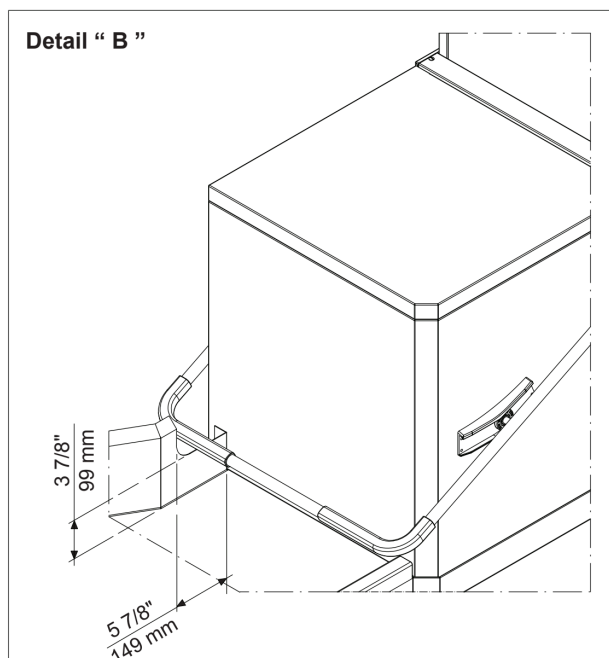
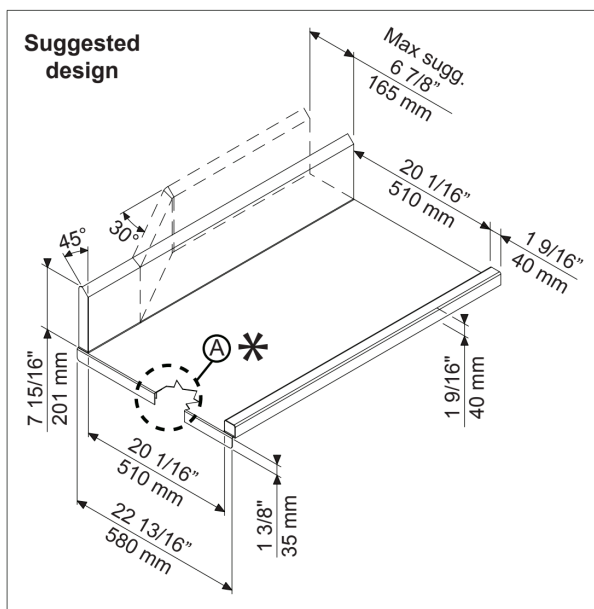
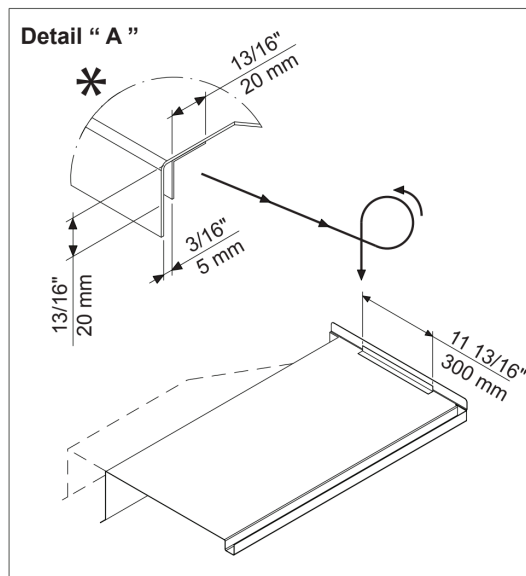
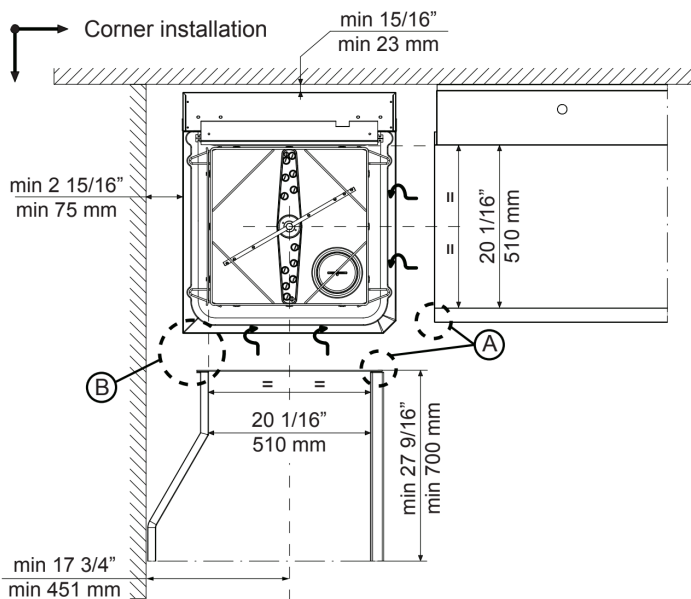
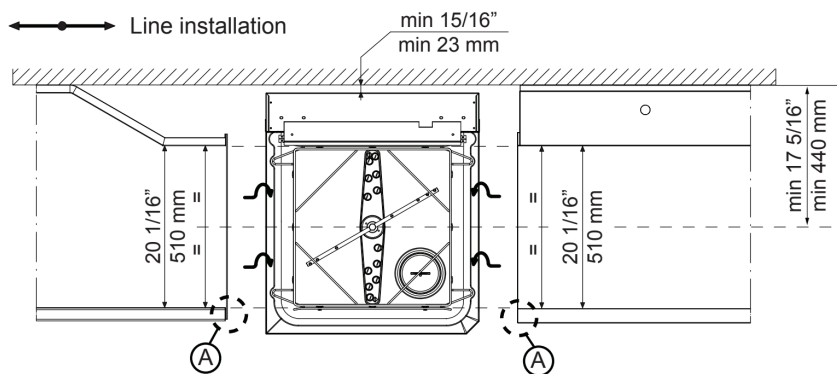
Top



CWII = Cold Water inlet 1 (cleaning)
 EI = Electrical inlet (power)
 XP = Chemical probe/sensor
 EO = Electrical Outlet

D = Drain
 HWI = Hot water inlet
 XD = Detergent connection

Recommended table connection



All tables must be connected to the dishwashing units according to local regulations and industry standards which may differ from the recommendations herein suggested. Electrolux Professional is not liable for any failure in complying with local design standards.

Doc Nr : 59566BF00

Accessories

Included Accessories

PNC Code	Description	Quantity
864242	Yellow cutlery container	1
867002	Basket for 18 dinner plates - yellow	1

Optional Accessories

PNC Code	Description
----------	-------------

Baskets

780068	Kit 8 plastic boxes for cutlery - yellow
864242	Yellow cutlery container
865493	Extra heavy rack support for hood type dishwasher
865574	Kit 4 plastic boxes for cutlery - yellow
866743	Basket for 6 trays 530x370 mm - red
867000	Basket for 12 soup bowls - green
867002	Basket for 18 dinner plates - yellow
867007	Basket for 48 small cups or 24 cups - blue
867009	Basket for bulk cutlery-capacity: 100 pieces - brown
867016	Cover rack for small and light items (500x500 baskets)
867021	Baskets for 25 tilted glasses (h 120 mm - diam 80 mm) - blue
867023	Basket for 16 vertical glasses (h 70 mm - diam 100 mm) - blue
867024	Basket semi-professional 500x500x190mm
867040	Baskets for 16 tilted glasses (h 220 mm - diam 100 mm) - blue

Installation solutions

864016	Stainless steel inlet hose kit
864329	CLEAR BLUE Filtering System kit for single skin hood type
864374	Front control panel for single skin hood type dishwasher
864461	Pressure reducer for single tank dishwasher
864463	Kit of rack and support to wash fryer basket
864464	Kit of 100mm feet for Hood Type Dishwasher
864526	ZERO LIME device kit with pump and air gap for hood type
865264	Connecting kit for duet manual hood type dishwasher
865492	Feet for Hood type dishwashers - marine

Accessories

PNC Code	Description
Water treatment	
860005	8lt external automatic water softener
860412	12lt external manual water softener
860430	20lt external manual water softener
864017	Filter for partial demineralization
864050	Kit to measure total and partial water hardness
864367	Filter for total demineralization
864388	External reverse osmosis filter for single tank Dishwashers with atmosphere boiler and Ovens
Other accessories	
864026	External reverse osmosis filter for undercounter and hood type dishwashers with atmosphere boiler